

# SPACÉRAIL

ILLUSTRATION

232-1

# CATALOGUE

SHOWN pic. 1. CATALOG ... P1

SHOWN pic. 2~6 ... P2

PARTS LIST ... P3

HOW TO OPERATE THE WRENCH, USE BATTERY CASE, HOW TO ASSEMBLE THE GEAR BOX AND GEAR ... P4

THE ILLUSTRATION OF ASSEMBLE ... P5-P7

HOW TO ASSEMBLE FORK, ROTATION SHAFT AND ARM ... P8

HOW TO INSTALL THE BASE AND SHAFT ... P9

RAIL ASSEMBLE STEPS ... P10-P11

THE WAY TO INSTALL THE RAIL ... P12-P13

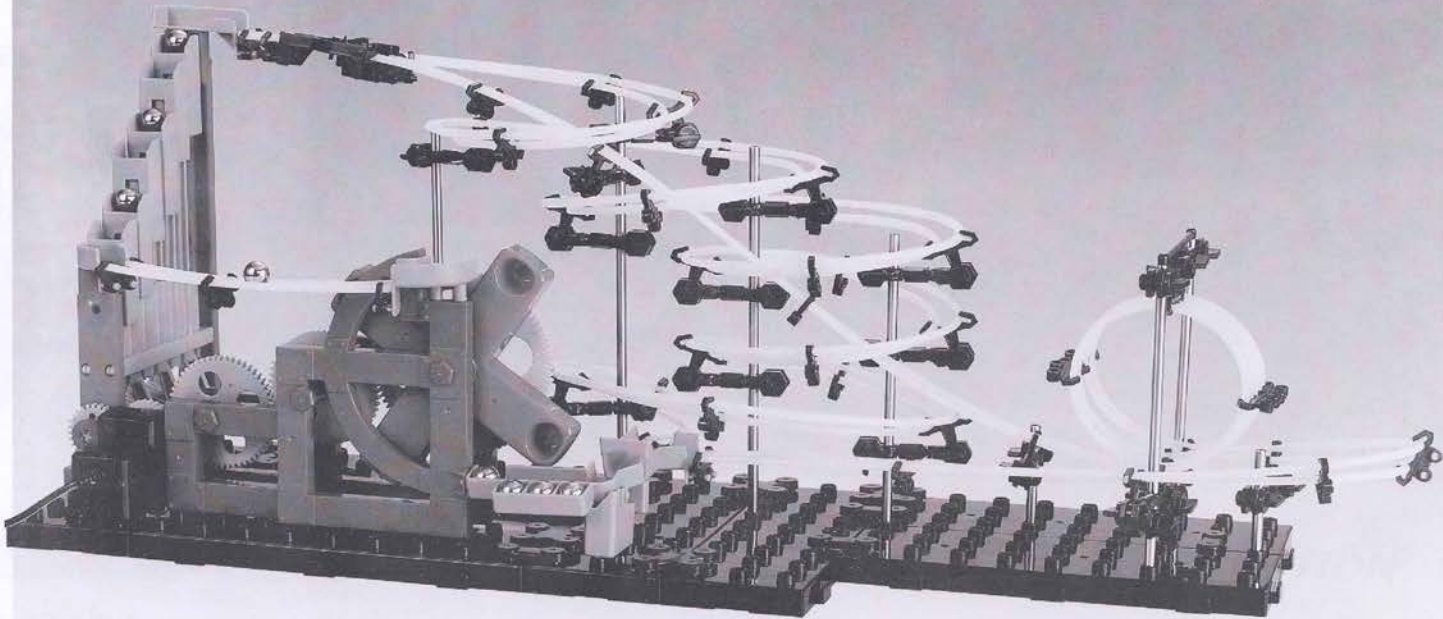
HOW TO INSTALL THE LOOP, HOW TO INSTALL ENTRY AND EXIT ... P14

WARNING ... P15

<SHOWN-1>

# SPACERAIL

232-1



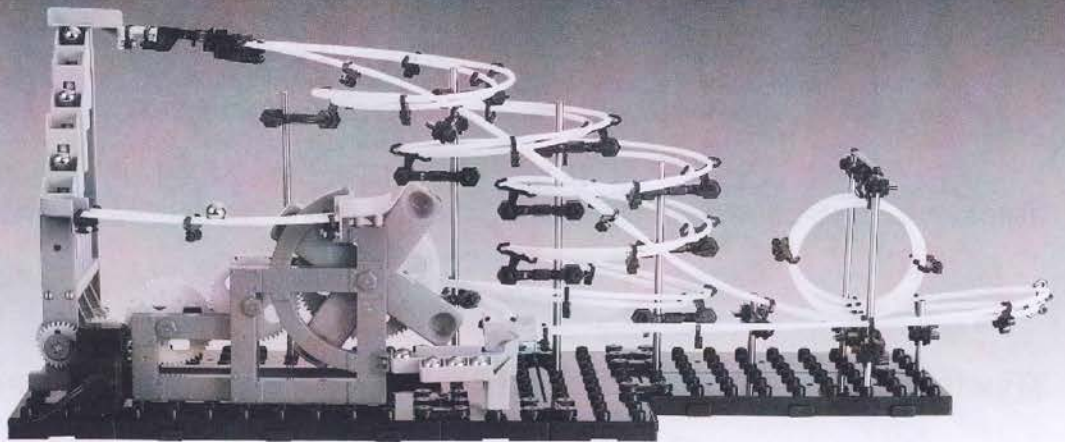
(1)



232-1



<SHOWN-2>FRONT

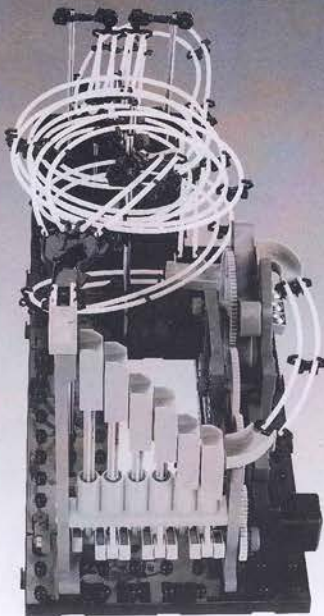


BASIC ROUTE PICTURE

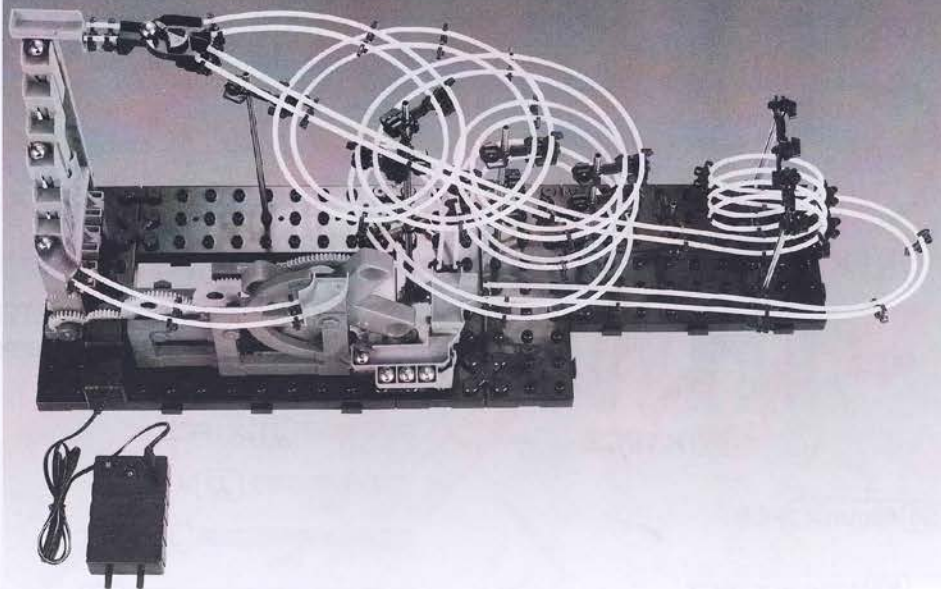
THERE ARE SOME PICTURES OF THE ASSEMBLED SPACE RAIL 232-1 WHICH TAKE FROM DIFFERENT SIDES.

PLEASE REFER TO THEM WHEN INSTALLING

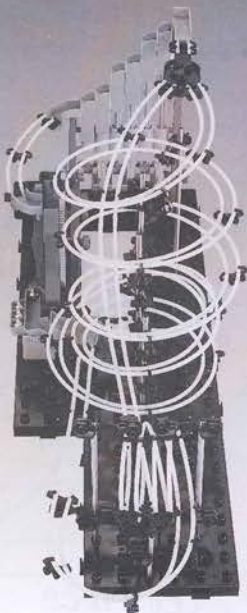
<SHOWN-3>NEAR SIDE



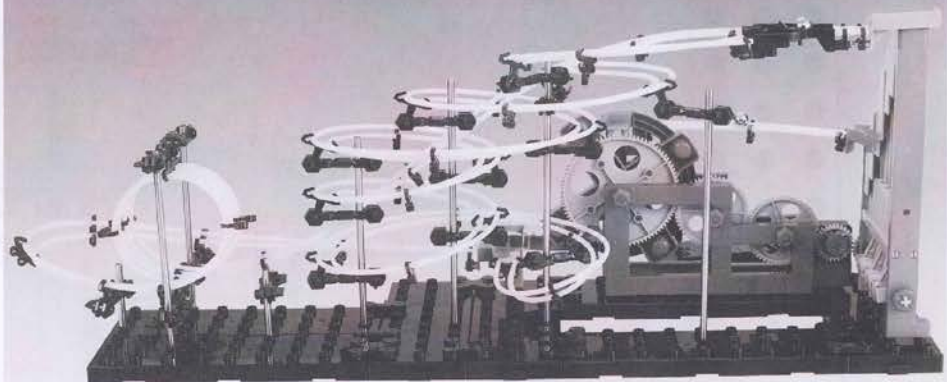
<SHOWN-4>TOP

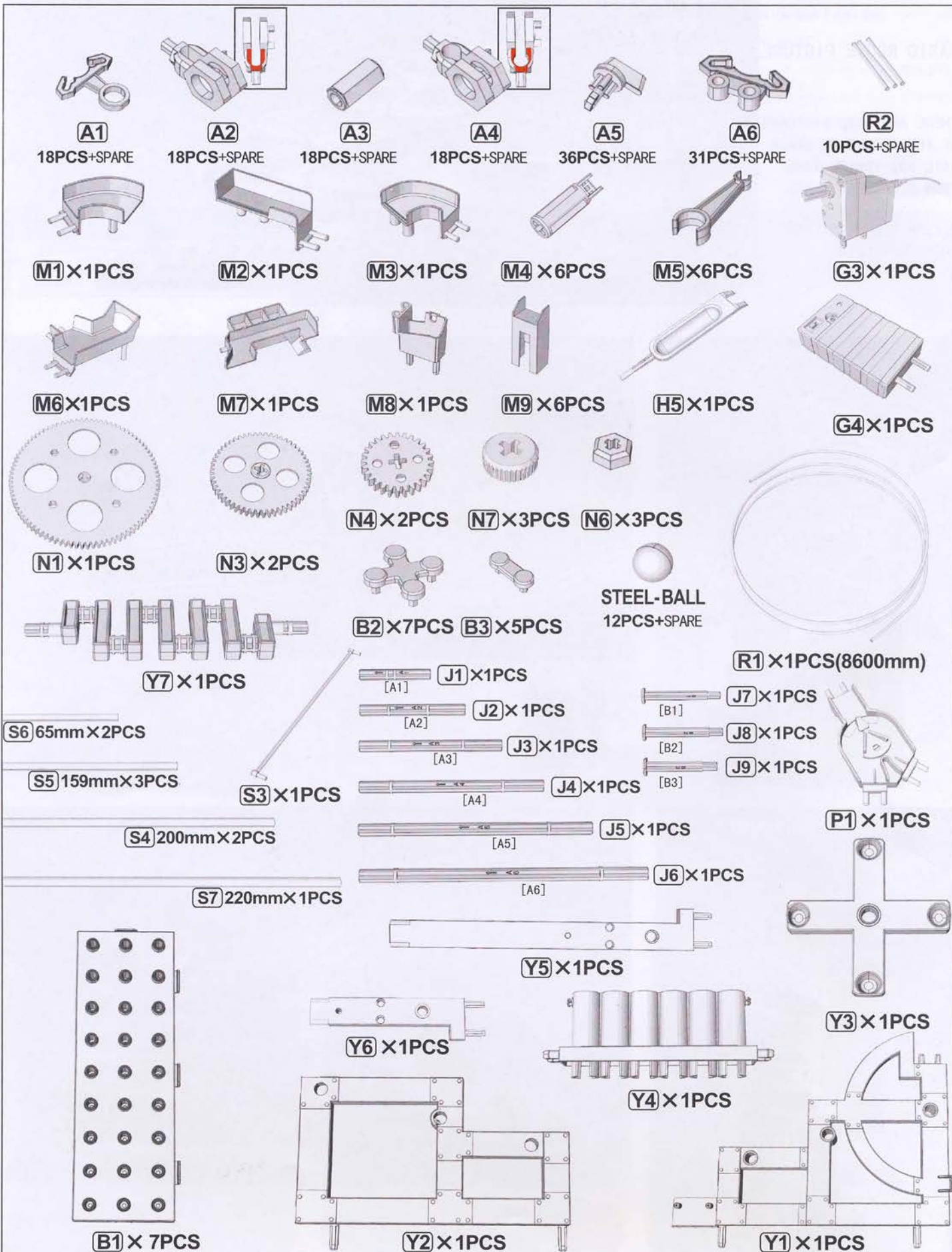


<SHOWN-5>STARBOARD

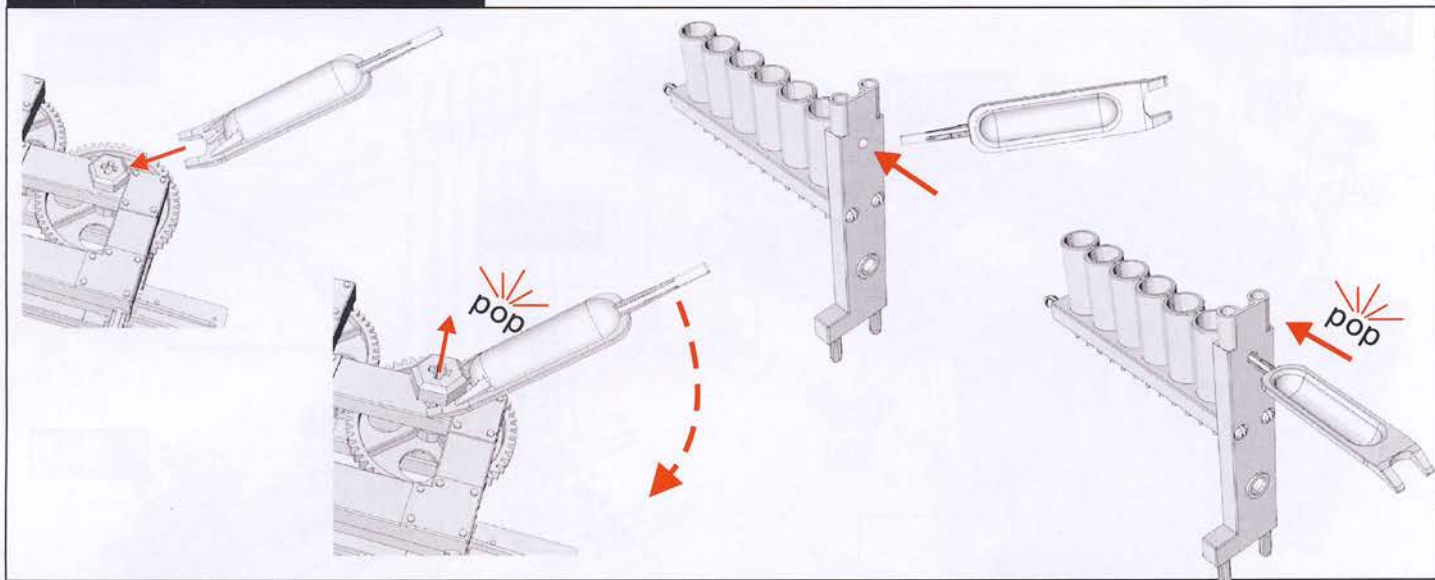


<SHOWN-6>BACK

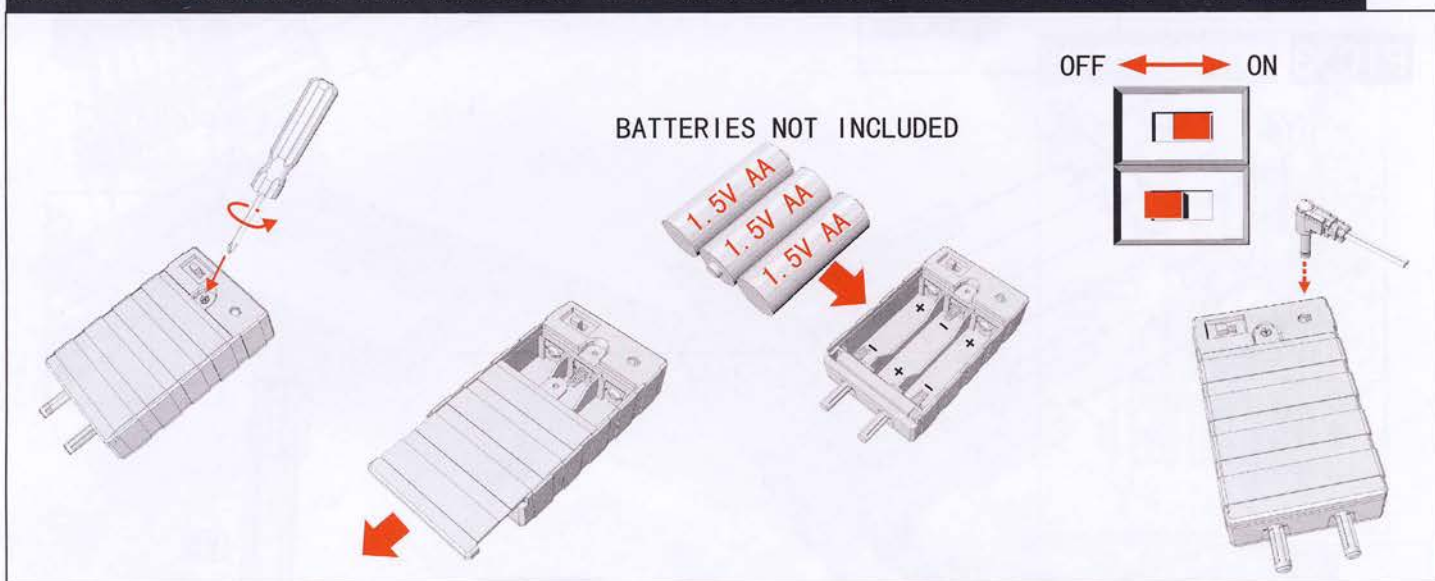




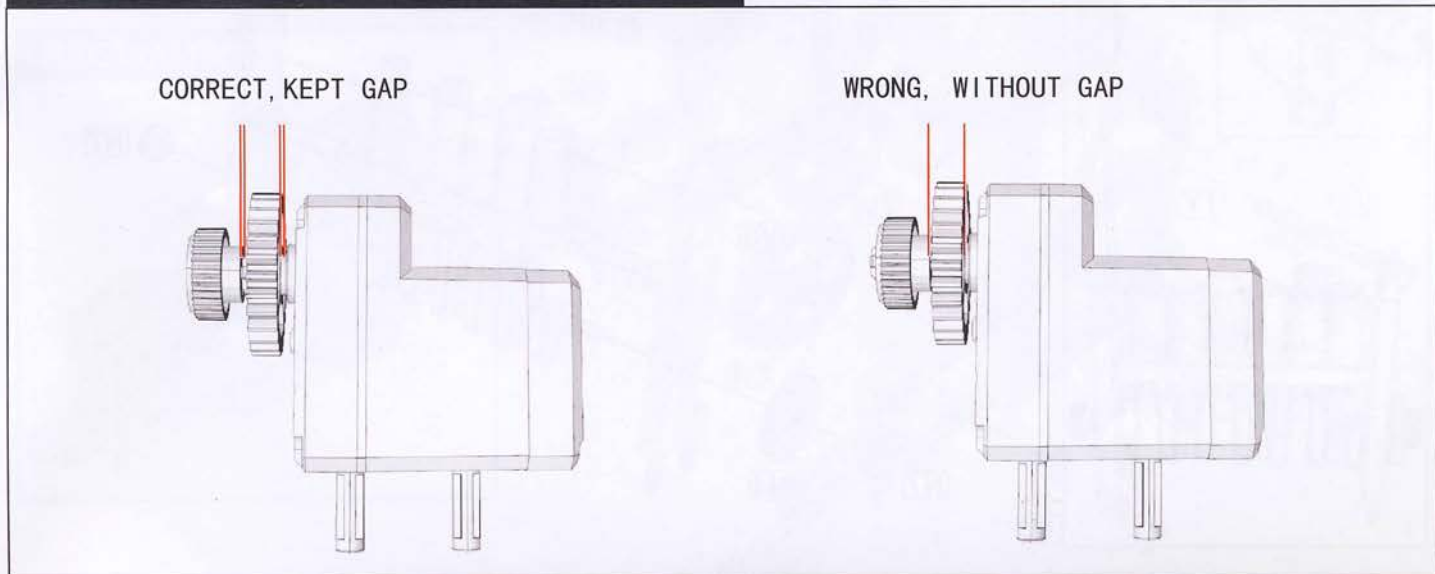
**HOW TO OPERATE THE WRENCH:**



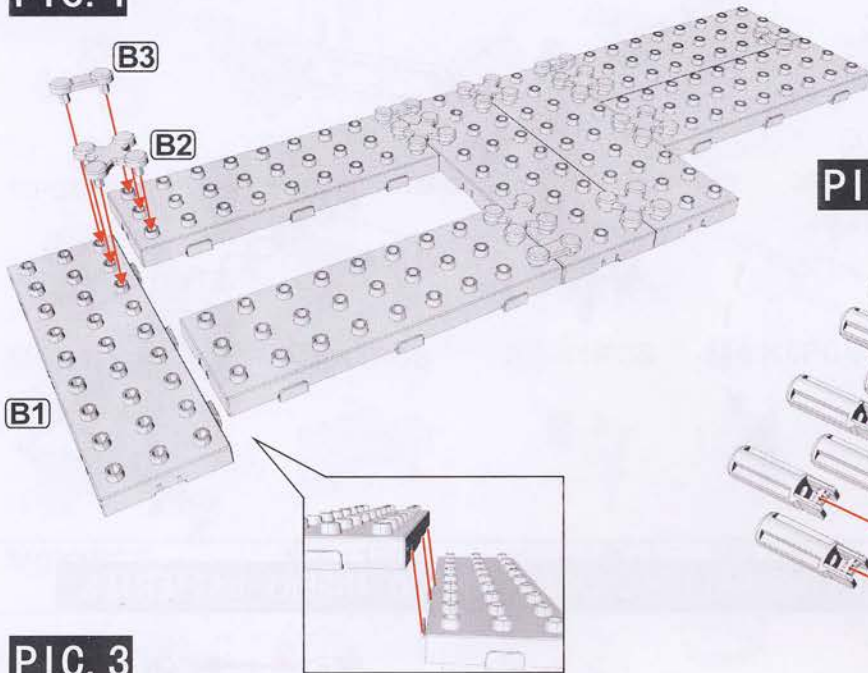
**HOW TO DISASSEMBLE AND ASSEMBLE THE BATTERY CASE, HOW TO INSERT BATTERIES:**



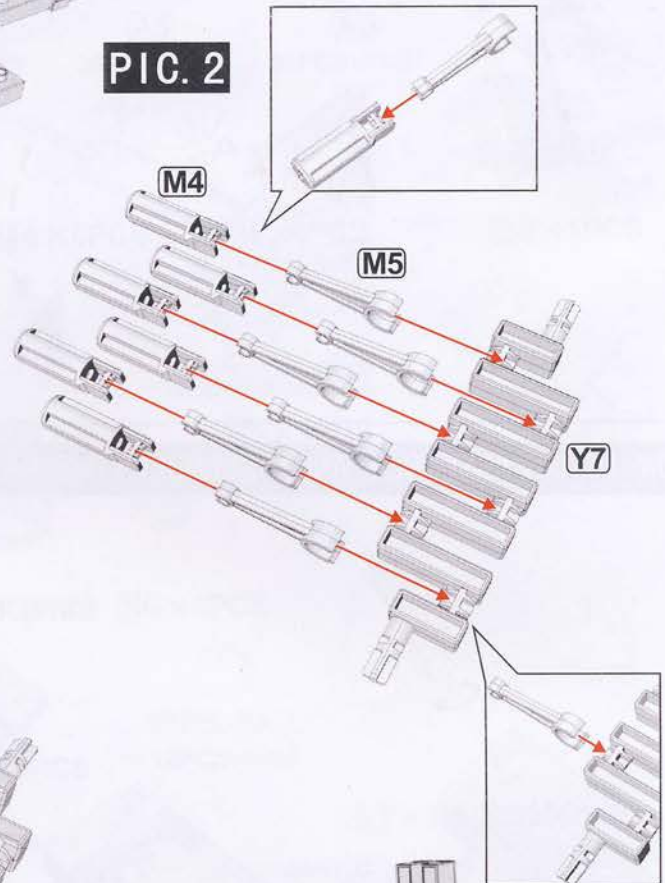
**NOTICE FOR INSTALLING GEAR BOX AND GEAR:**



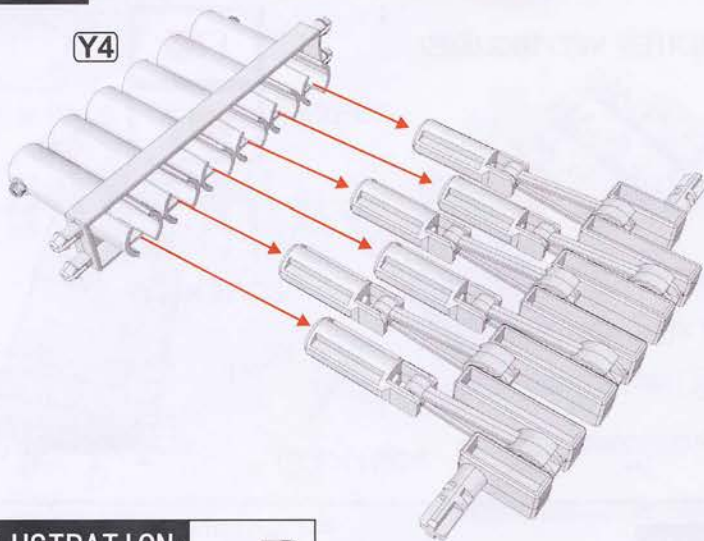
PIC. 1



PIC. 2



PIC. 3



PIC. 4

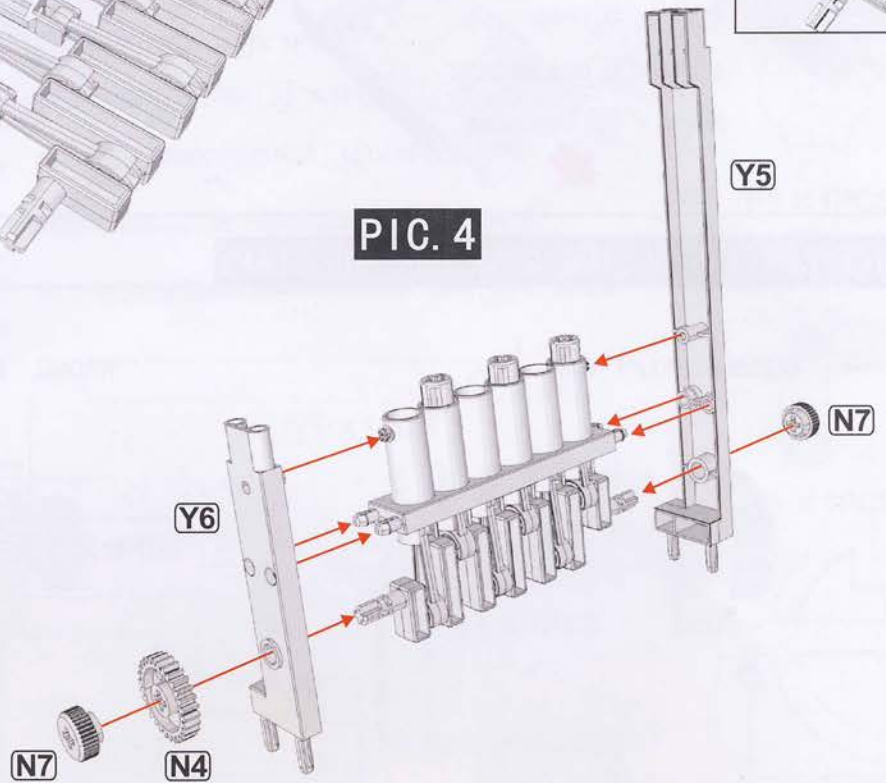
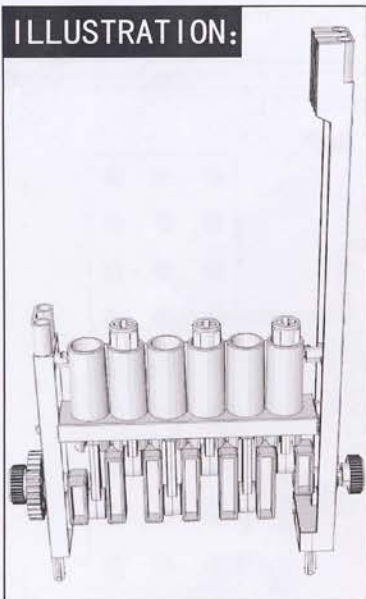
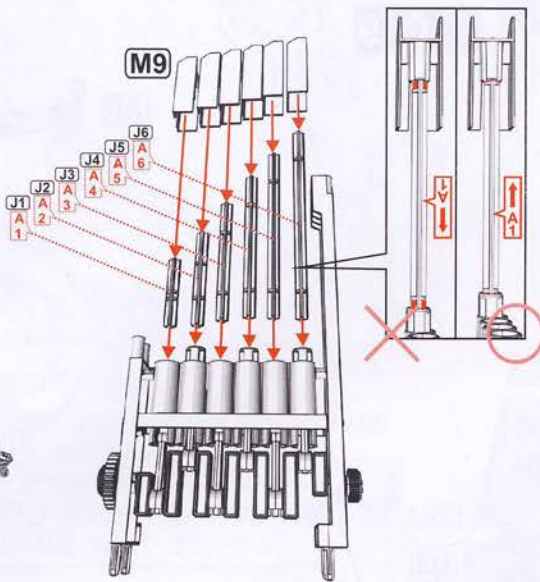


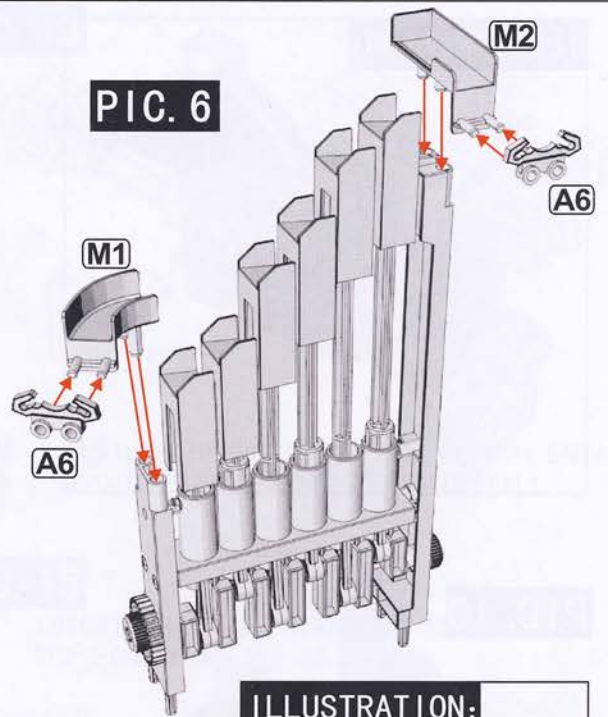
ILLUSTRATION:



PIC. 5



PIC. 6



PIC. 7

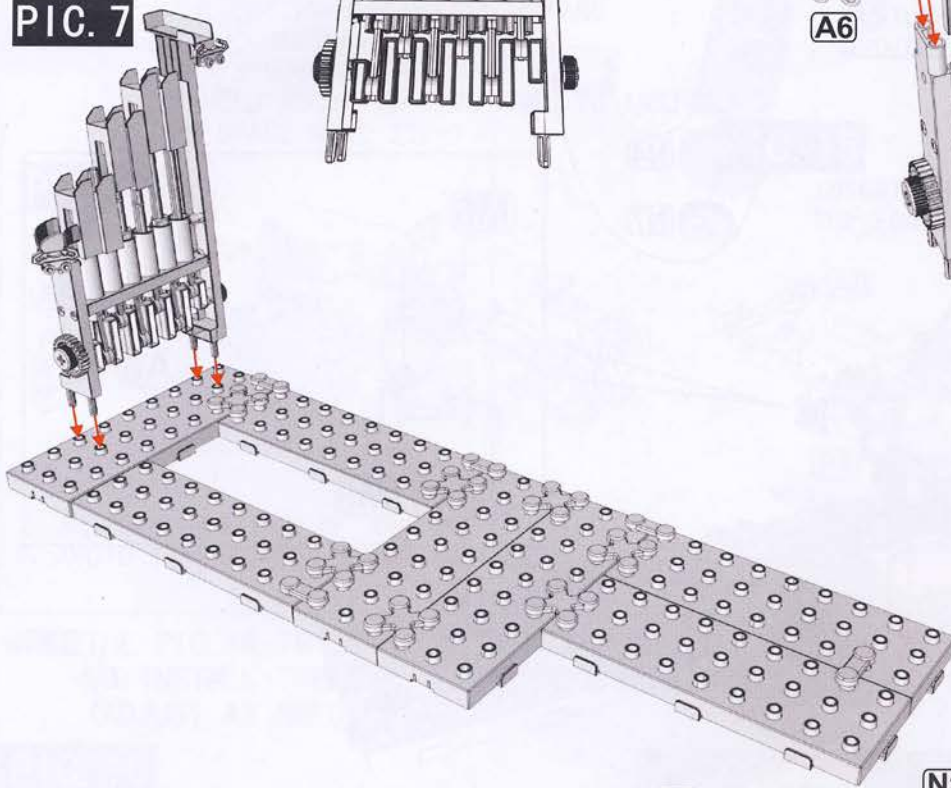


ILLUSTRATION:

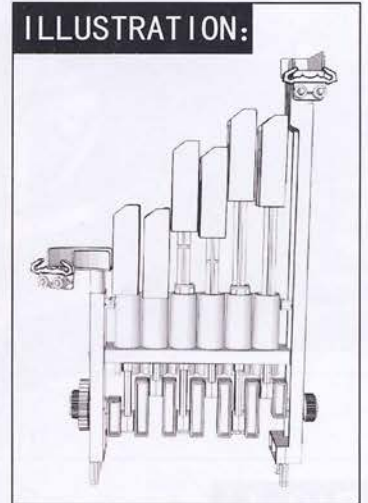
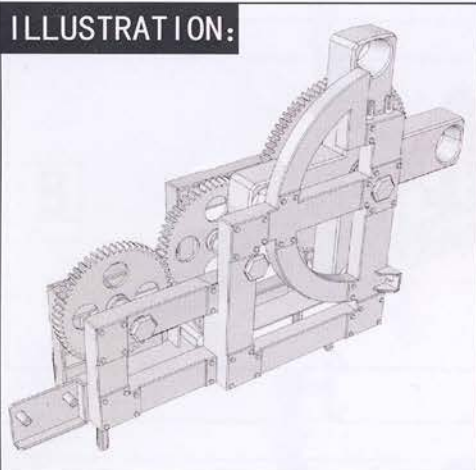


ILLUSTRATION:



PIC. 8

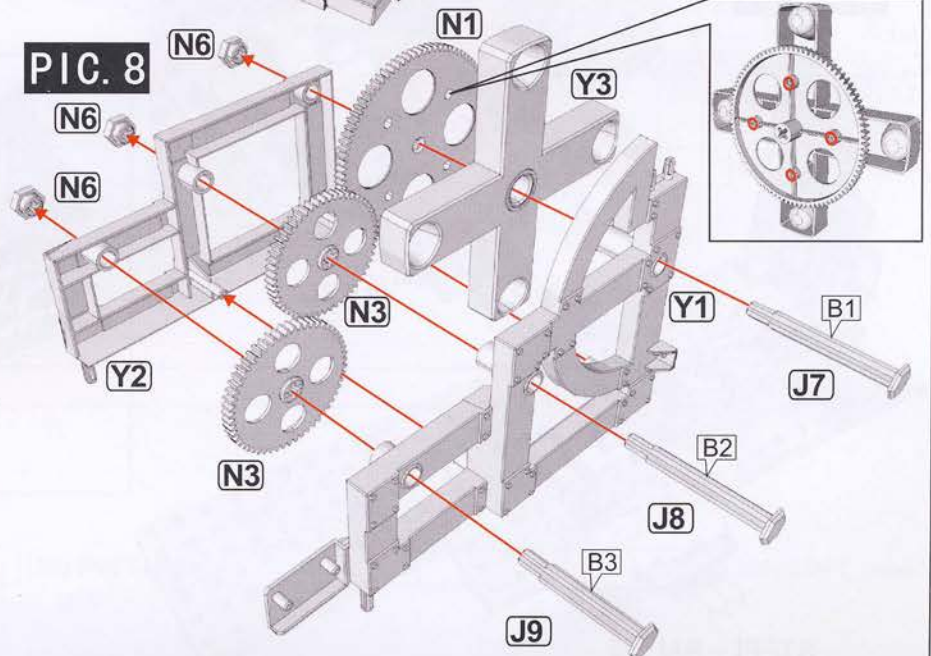
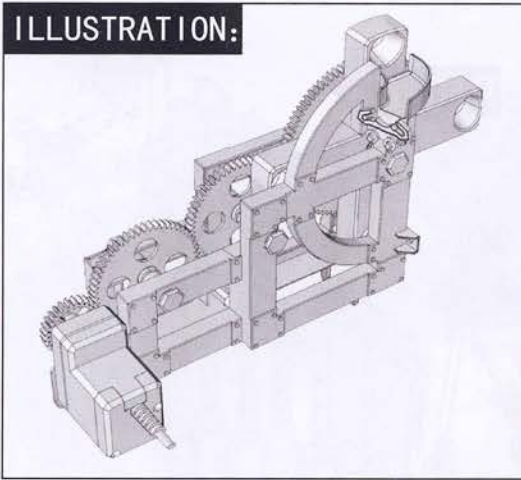
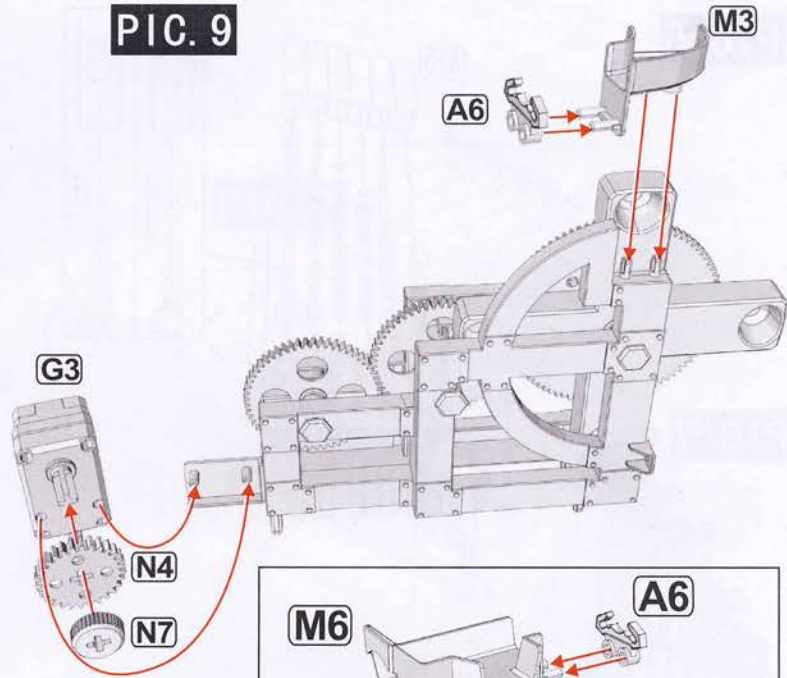


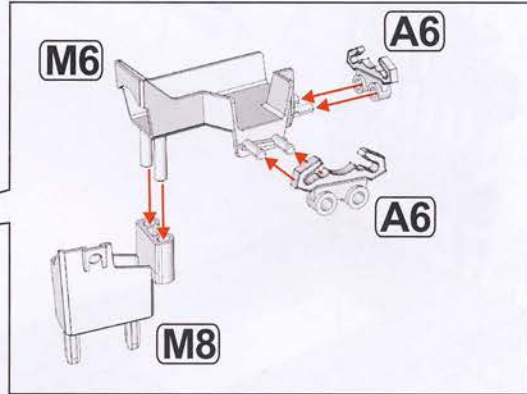
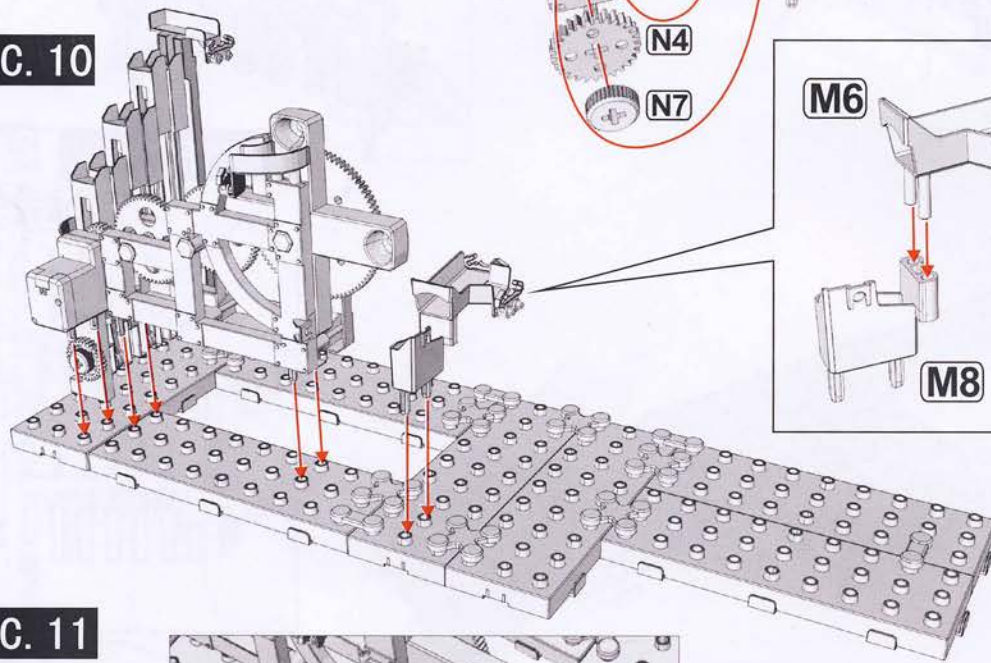
ILLUSTRATION:



PIC. 9



PIC. 10



PIC. 11

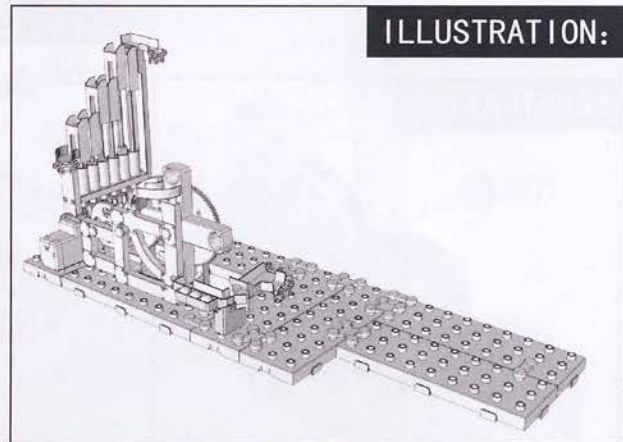
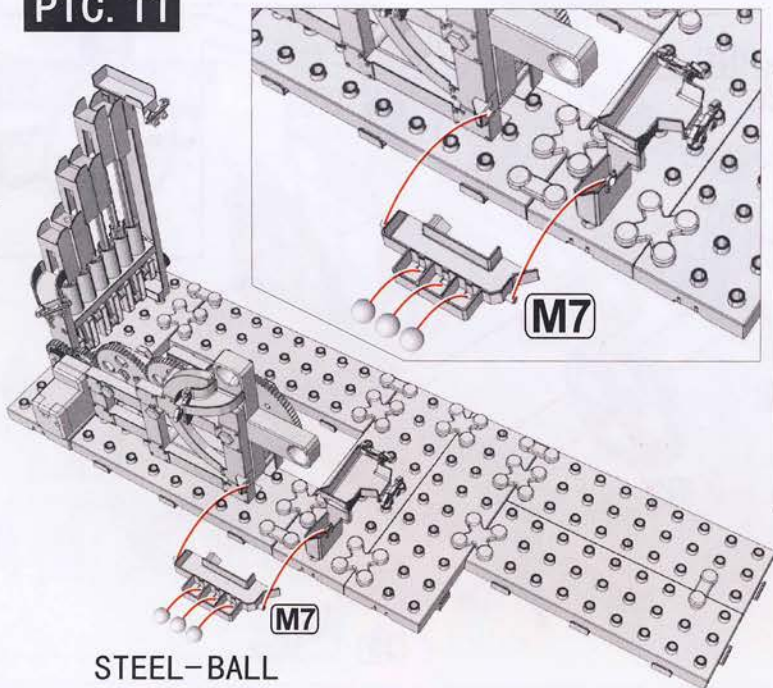
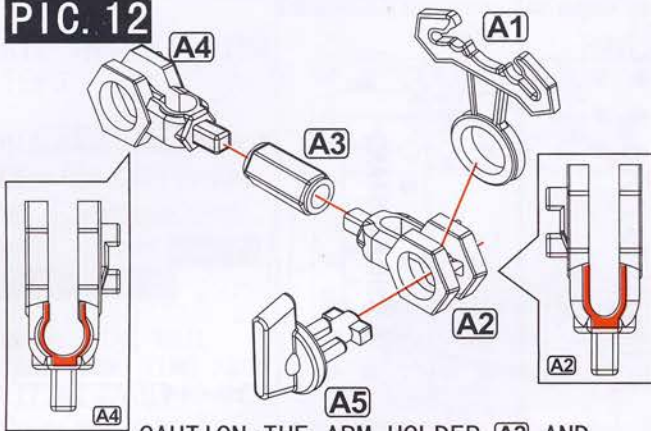


ILLUSTRATION:

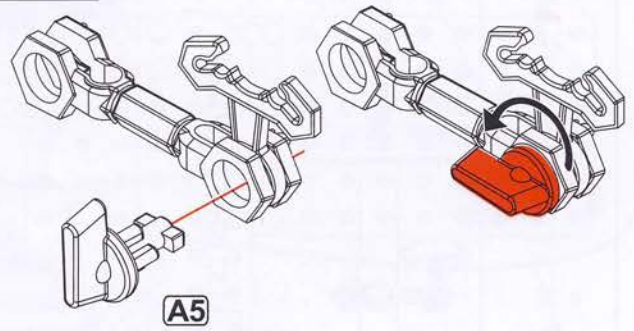


**PIC. 12**



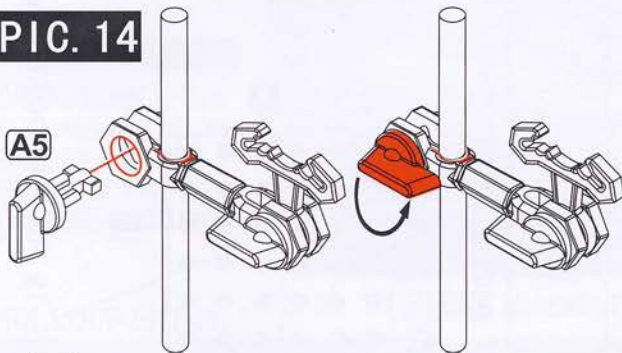
CAUTION: THE ARM HOLDER **A2** AND ARM HOLDER **A4** IS DIFFERENCE. (IT IS NOT IN CURRENT.) IT NEED ABOUT 18 SETS ARMS TO INSTALL THE SPACE RAIL 232-1

**PIC. 13**



**A5** TURN HANDGRIP OF ARM WRENCH ENTAD, AVOID INTERFERING ROUTE INSTALL

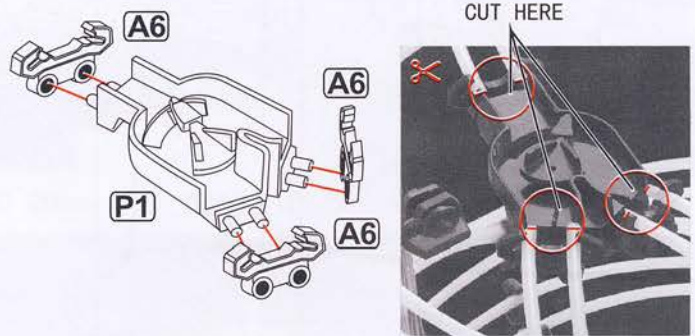
**PIC. 14**



**A5** TURN HANDGRIP OF ARM WRENCH ENTAD, AVOID INTERFERING ROUTE INSTALL

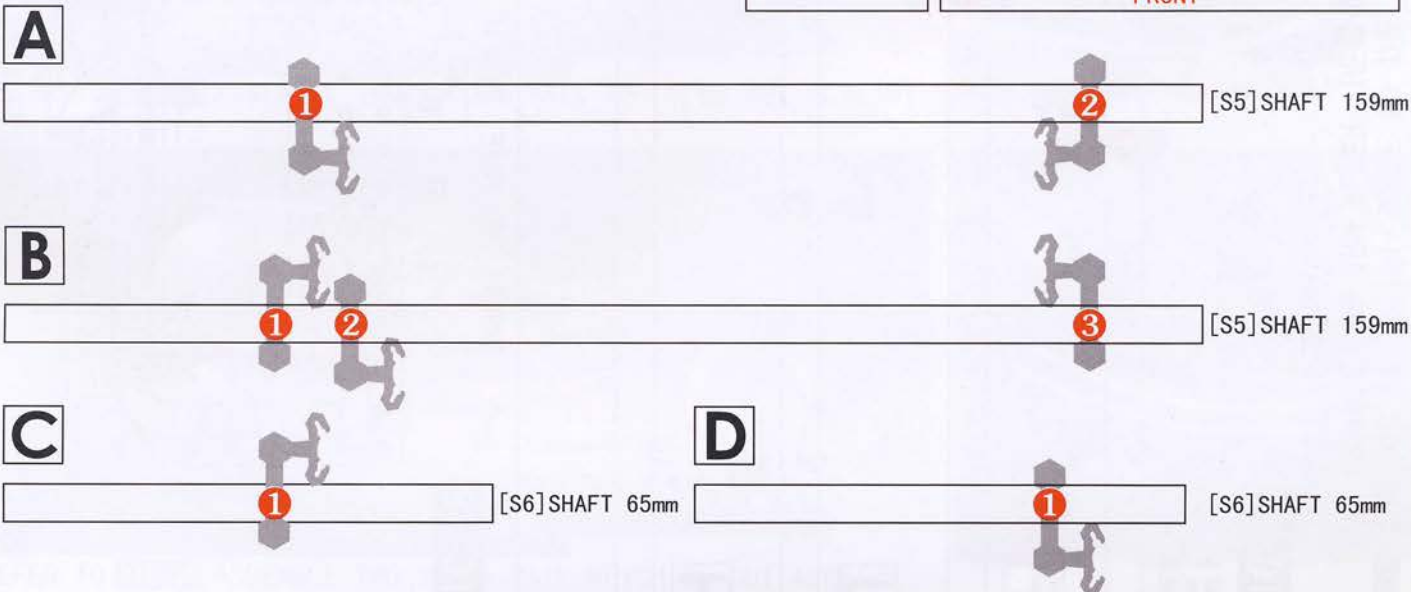
**PIC. 15**

INSERT THE RAIL STAND **A6** INTO THE FORK PART **P1** AS SHOWN



**PIC. 16** THE PIC. 16 IS 1:1 SCALE TO THE SHAFT. SO INSTALL THE ARM REFER THE ● MARK PLACE AND WAY ON PIC. (ADJUST AS NEED)

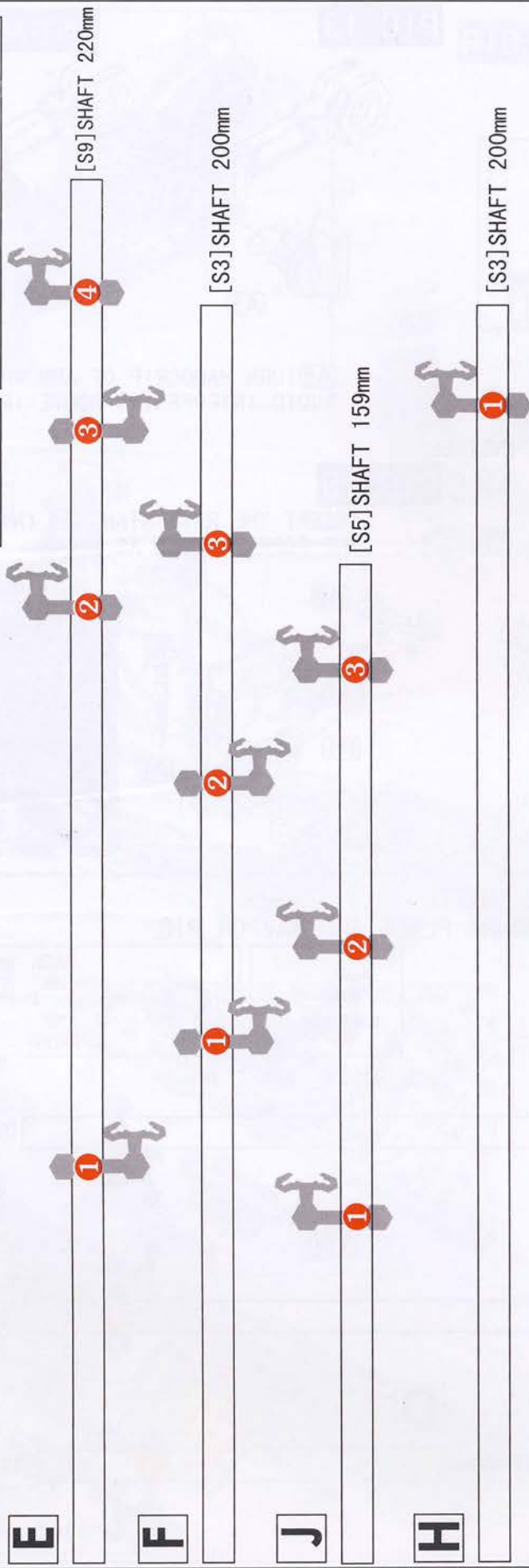
**PIC. 16**



**PIC. 17** THE PIC. 17 IS 1:1 SCALE TO THE SHAFT.  
 SO INSTALL THE ARM REFER THE ● MARK PLACE AND WAY ON PIC.

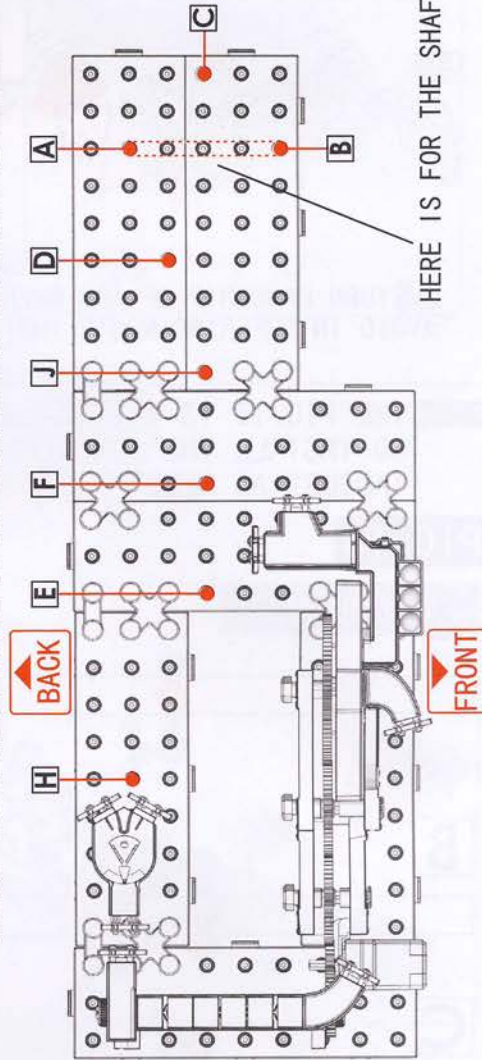
(ADJUST AS NEED)

**PIC. 17**

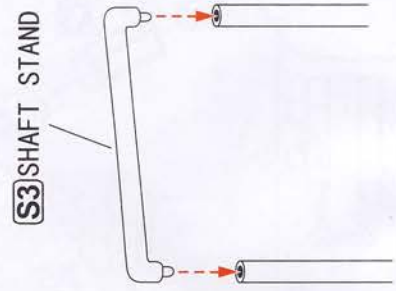


INSERT THE SHAFT PIC. 16. 17 **A~H** INTO THE BASE PIC. 18 **A~H**

**PIC. 18**



**PIC. 19**



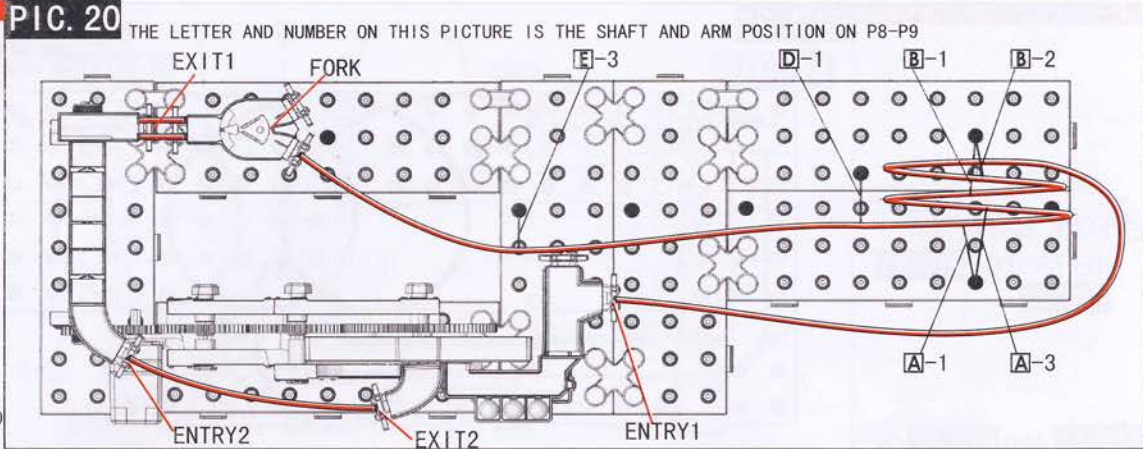
## RAIL INSTALLATION STEPS

THIS RAIL INCLUDES 1 ELEVATOR EXIT (START) AND 2 ENTRANCE (END), REFER TO THE **PIC. 20** **PIC. 21** **PIC. 22**

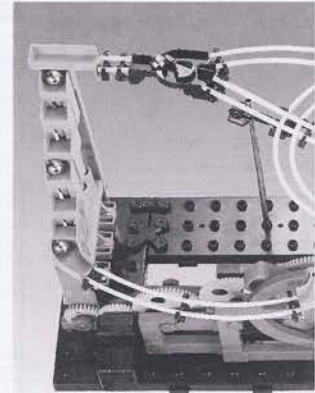
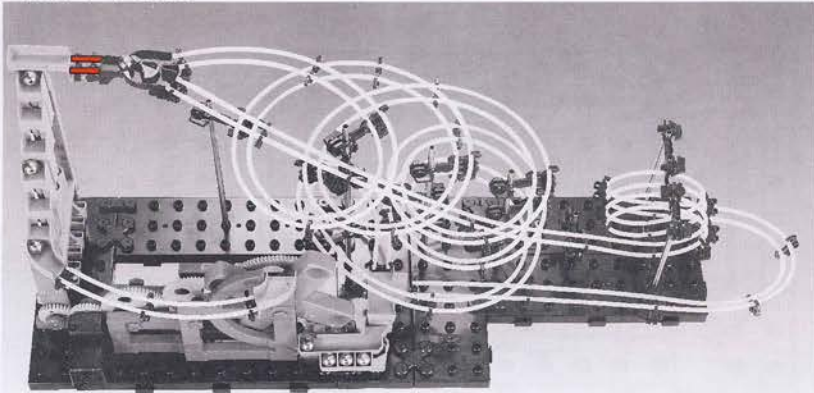
INSTALL THE RAIL STAND SAME TIME AS SETTING RAIL (P12-P13)

- ① EXIT1-FORK REFER TO **PIC. 20**
- ② FORK LOOP ENTRY 1 REFER TO **PIC. 20**
- ③ EXIT2-ENTRY2 REFER TO **PIC. 20**

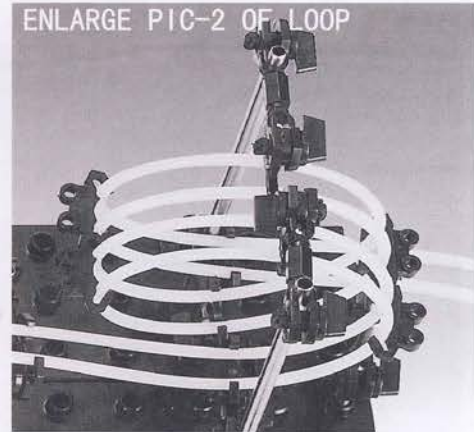
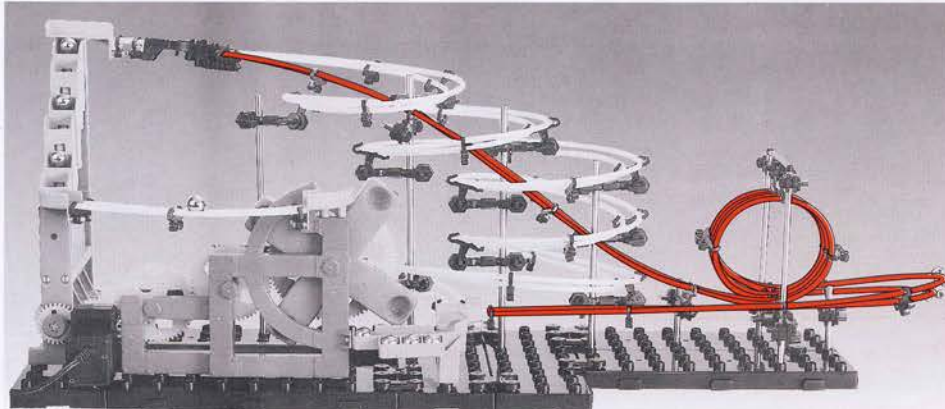
FOR ASSEMBLE THE LOOP RELATIVELY COMPLEX, PLEASE REFER TO THE ENLARGE PICTURE



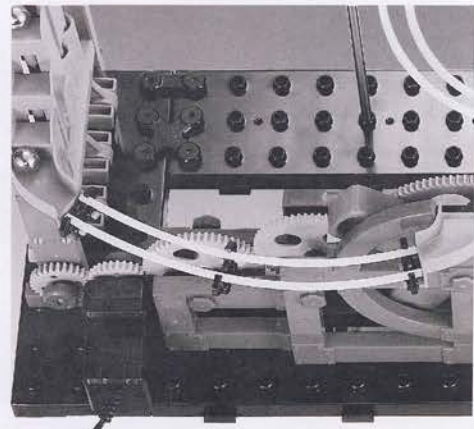
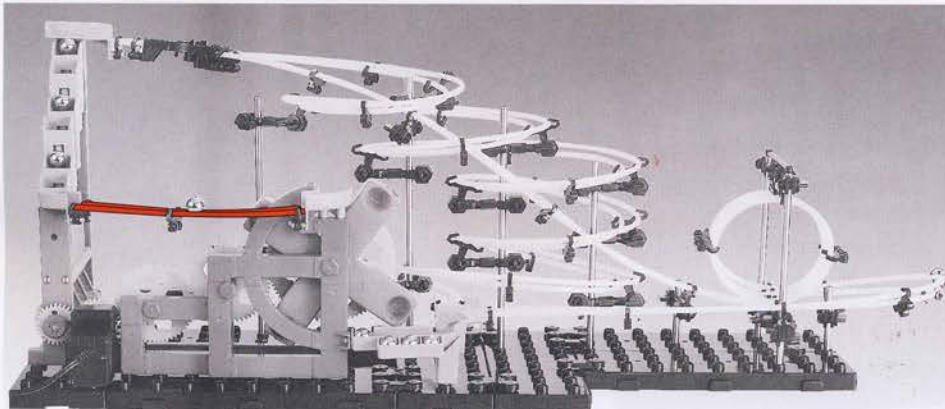
**EXIT1-FORK**



**FORK LOOP ENTRY 1** REFER TO **PIC. 20** ASSEMBLE TWO 20mm RAIL WHICH BE CUT ALREADY

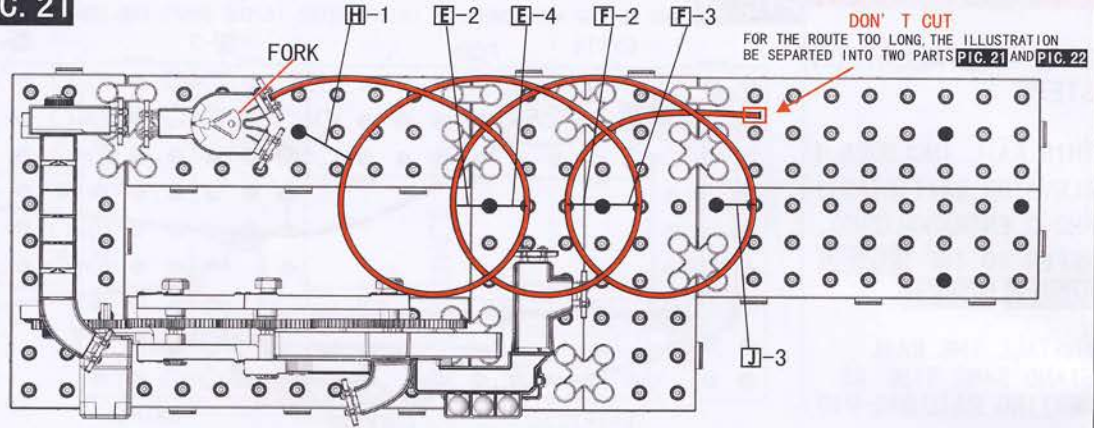


REFER TO **PIC. 20** ASSEMBLE TWO 1500mm RAIL WHICH BE CUT ALREADY **EXIT2-ENTRY2**



REFER TO **PIC. 20** ASSEMBLE TWO 170mm RAIL WHICH BE CUT ALREADY

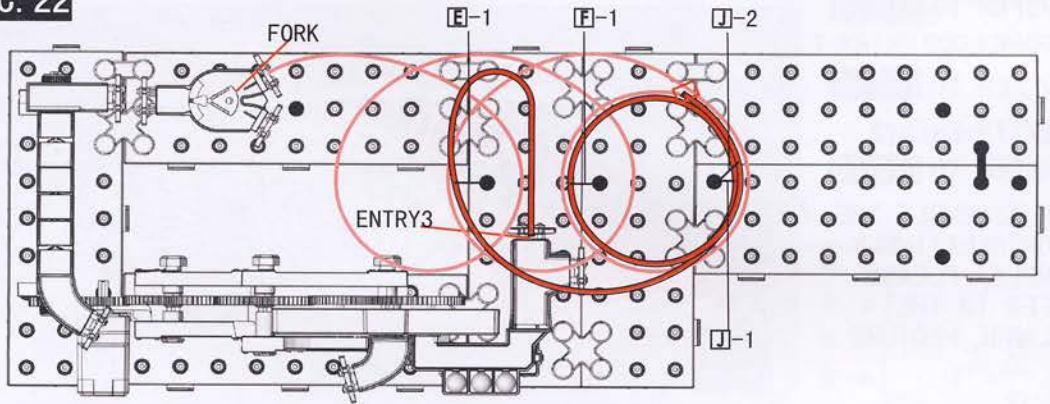
**PIC. 21**



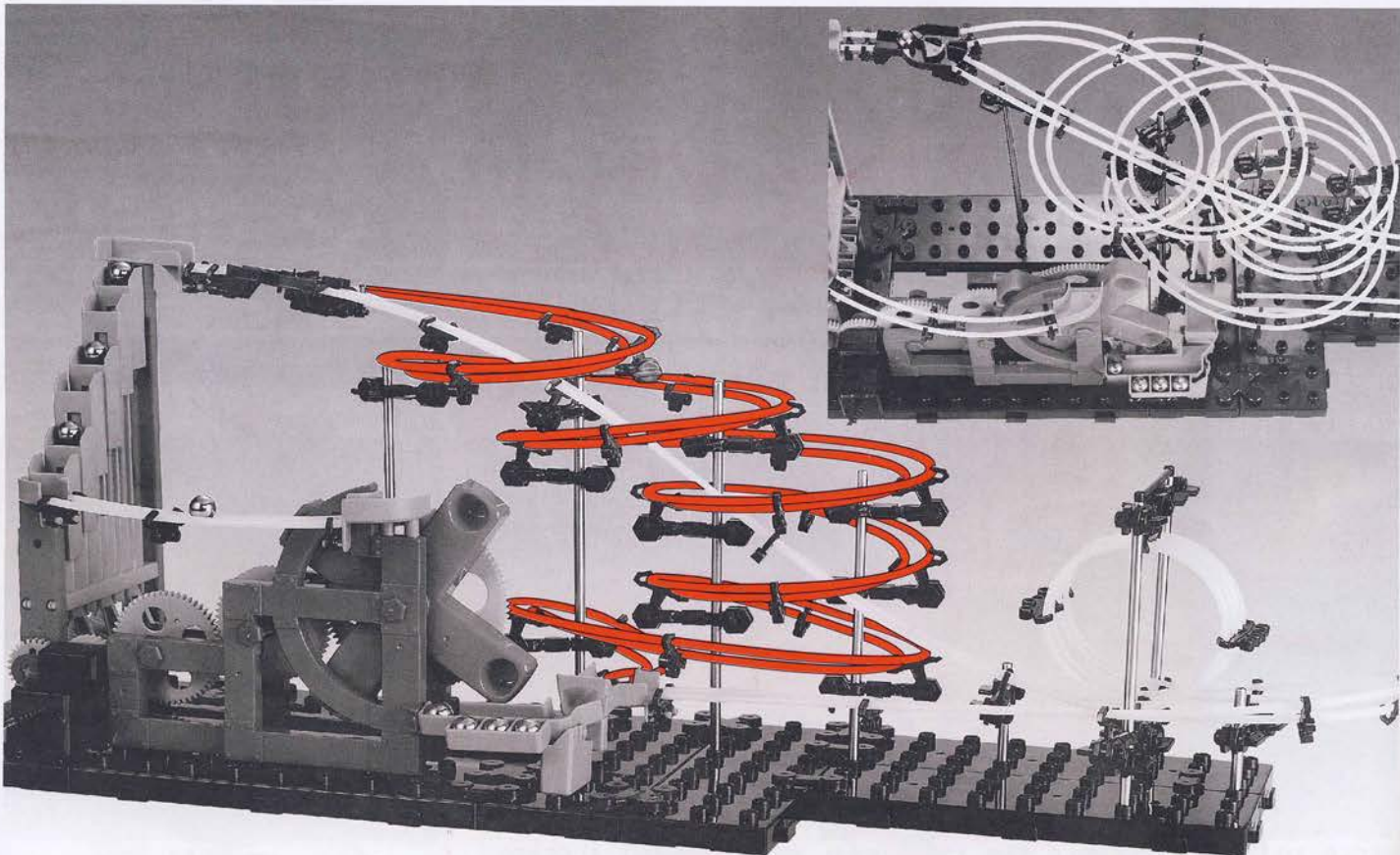
④ FORK ENTRY 3  
REFER TO **PIC. 21**  
**PIC. 22**

**PIC. 21** AND **PIC. 22** ON  
THE RIGHT IS THE  
ABOVE AND BELOW PART  
OF THE RAIL

**PIC. 22**



## FORK-ENTRY3



REFER TO **PIC. 21** **PIC. 22** ASSEMBLE TWO 2600mm RAIL WHICH BE CUT ALREADY

## HOW TO INSTALL RAIL

THE WAY TO ASSEMBLE RAIL AND ROTATION ARM AS **PIC. 23** **PIC. 24** SHOWN, **PIC. 23** REFER TO THE POSITION IN ILLUSTRATION TO BUILD THE RAIL

## HOW TO CONNECT THE RAIL **PIC. 25**

ADJUST AND BUILD THE ORIGINAL ROUTE OR CONNECT THE RAIL, PLEASE INSERT THE CONNECTER INTO THE HOLE AT THE MIDDLE OF RAIL, ALSO, USE PLIERS TO MAKE THE RAIL SECTION TIDINESS

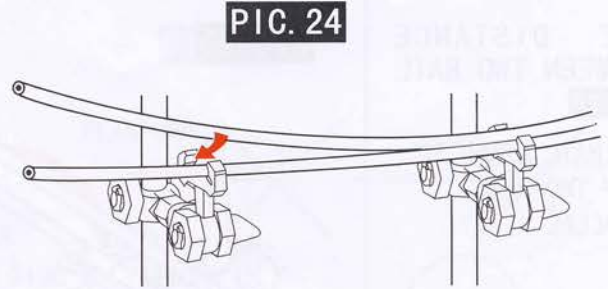
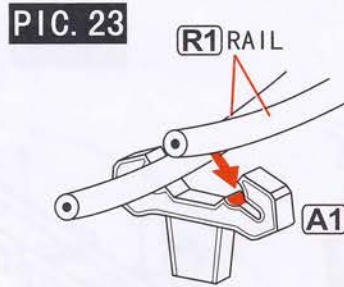
## ABOUT THE RAIL STAND **PIC. 26**

THE DISTANCE BETWEEN TWO ROTATION ARM TOO LONG WILL MAKE THE RAIL UNSTABILITY, SO PLEASE ADD THE RAIL STAND, MAKE THE DISTANCE BETWEEN TWO ROTATION ARM AT 8-10CM WILL MAKE RAIL STABILITY

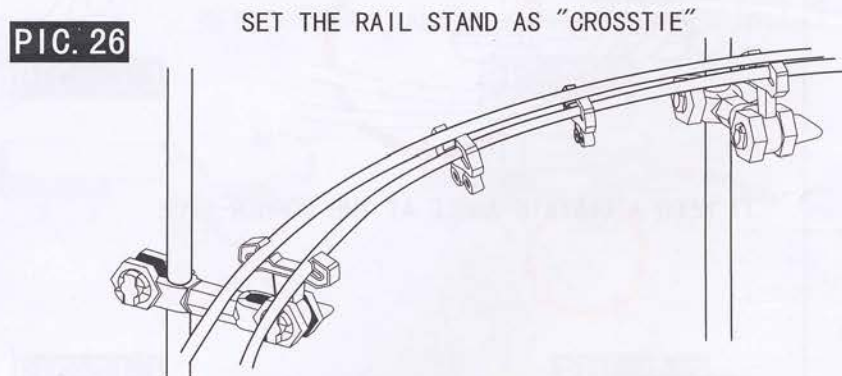
※ ADD THE RAIL STAND TO THE ELEVATOR ENTRY AND EXIT OR BRAE TO MAKE IT MORE STABILITY

## ABOUT THE BRAE **PIC. 27**

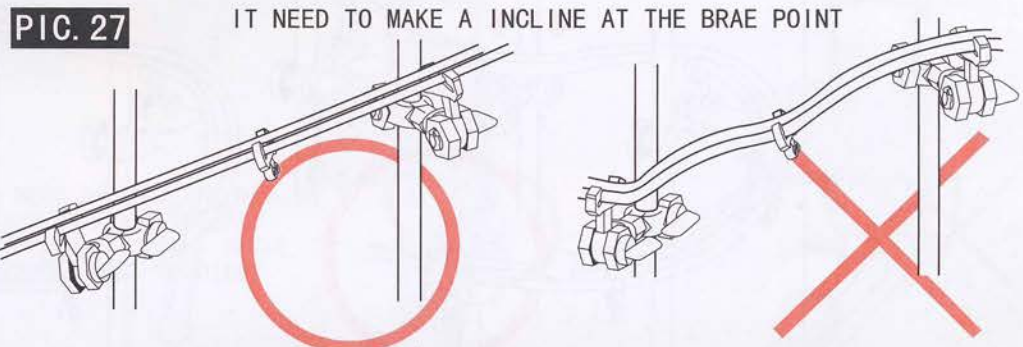
WHEN ASSEMBLE THE BRAE, PLEASE MAKE THE ROTATION ARM INCLINE TO MAKE THE STEEL BEAD COULD ROLL FROM BRAE FREELY



INSERT THE RAIL IN TO ROTATION ARM



WHEN THE DISTANCE BETWEEN ROTATION ARM TOO LONG, ADD TWO TO THREE RAIL STAND (8cm~10cm DISTANCE) AS CROSSTIE



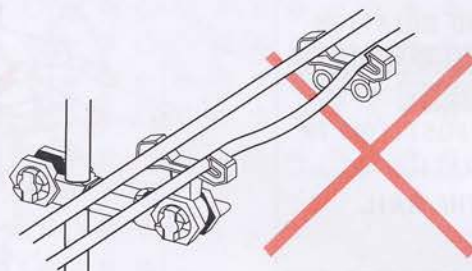
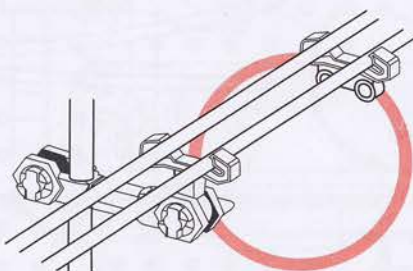
IT NEED TO MAKE A INCLINE AT THE BRAE POINT

THE DISTANCE BETWEEN TWO RAIL

### PIC. 28

USE RAIL STAND TO KEEP TWO RAIL PARALLEL

### PIC. 28



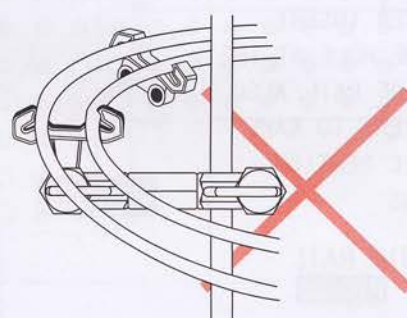
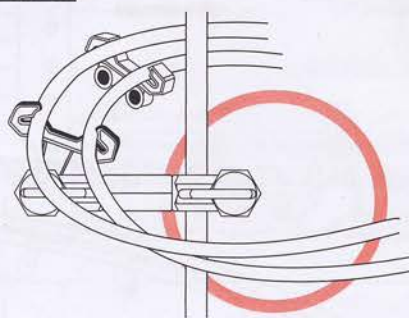
KEEP THE RAIL DISTANCE EQUALLY

ABOUT THE CORNER

### PIC. 29

KEEP THE BRAE WITH CERTAIN ANGLE AS PIC. 29 SHOWN TO AVOID CORNER DIGRESSION, IF STILL DIGRESSION, IT NEED TO SLOW-DOWN THE SPEED WHEN STEEL-BALL PASSING THE CORNER

### PIC. 29

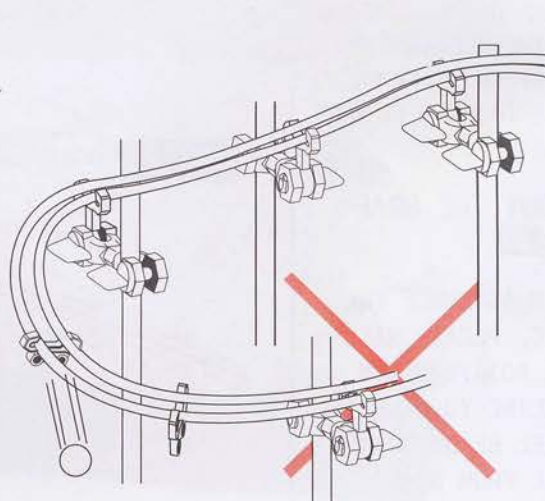
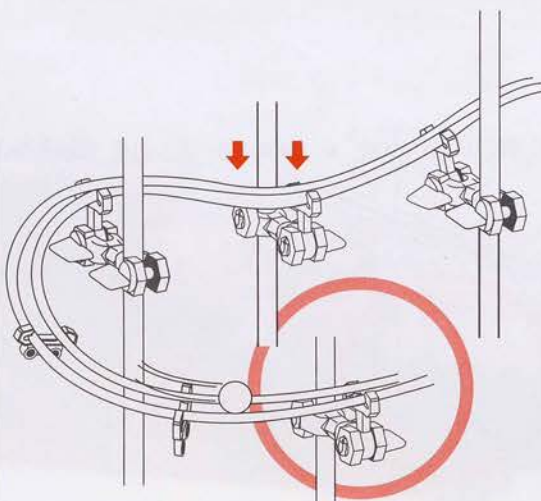


IT NEED A CERTAIN ANGLE AT THE CORNER SIDE.

ADJUST RAIL TO SLOW DOWN THE SPEED WHEN STEEL-BALL PASSING THE CORNER PIC. 30

### PIC. 30

SLOWDOWN BEFORE THE STEEL-BALL ENTERING THE CORNER



# HOW TO INSTALL THE LOOP, HOW TO INSTALL ENTRY AND EXIT

## THE WAY TO INSTALL THE LOOP

MAKE THE STEEL-BALL RUNNING SMOOTHLY. **PIC. 31**

THE DIAMETER OF THE OUTER LOOP MUST DOUBLE OF INNER LOOP. OTHERWISE, THE STEEL-BALL WILL NOT RUNNING SMOOTHLY.

## WARNING FOR MAKING LOOP **PIC. 32**

IT NEED TO MAKE THE LOOP LIKE BEAUTY "CIRCLE" OTHERWISE, THE STEEL-BALL WILL NOT RUNNING SMOOTHLY.

## HOW TO INSTALL MORE 2 LOOPS.

WHEN INSTALL MORE 2 LOOPS, THE FOLLOW LOOP MUST BE SMALLER THAN FRONT ONE, OTHERWISE, THE STEEL-BALL WILL NOT RUNNING SMOOTHLY.

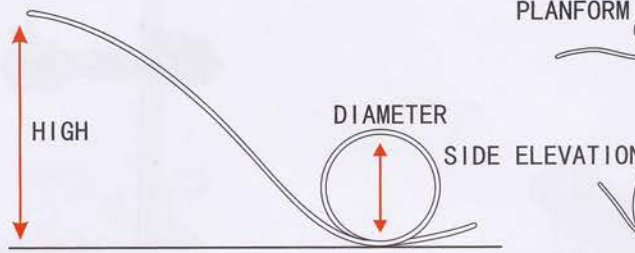
## HOW TO INSTALL ENTRY AND EXIT **PIC. 33-PIC. 35**

MAKE SURE THE RAIL NOT HIGHER THAN THE EXIT, WHEN INSTALL THE EXIT AND RAIL. OTHERWISE, THE STEEL-BALL WILL NOT RUNNING SMOOTHLY. OR RETURN. **PIC. 33**

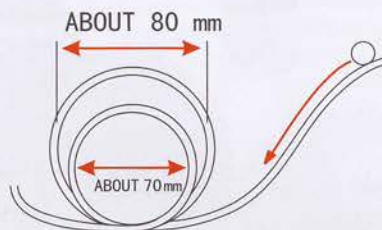
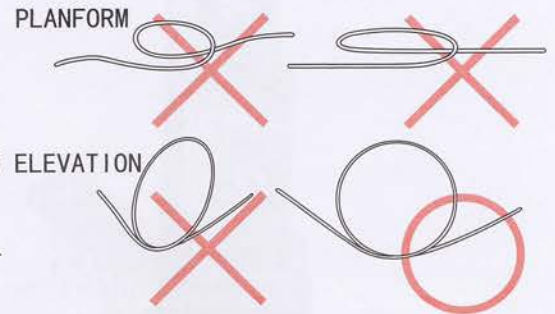
THE ANGLE BETWEEN ENTRY AND RAIL SHOULD BE AS **PIC. 34-1-PIC. 34-2** SHOWN. IF THE STEEL-BALL TOO FAST WHEN ENTER ENTRY, IT WILL BE REBOUND OR FALL.

AS **PIC. 35** SHOWN, NEARBY THE ENTRY, THE ANGLE OF RAIL AND ENTRY NEED KEEP AT RIGHT ANGLE.

**PIC. 31**

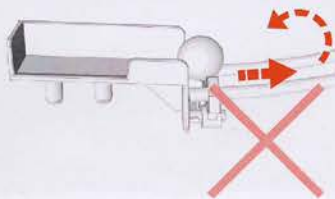


**PIC. 32**

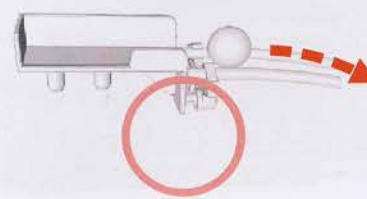


※ REFER THE DIAMETER ON PICTURE WHEN INSTALL THE SPACE ROUTE

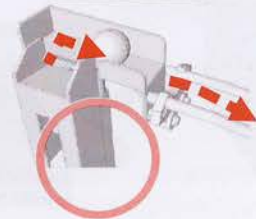
**PIC. 33-1**



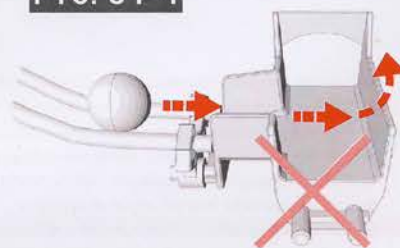
**PIC. 33-2**



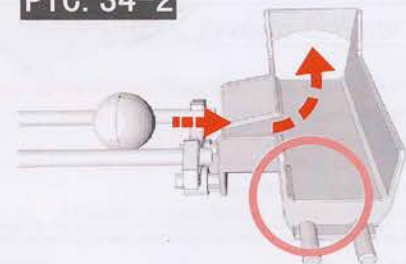
**PIC. 33-3**



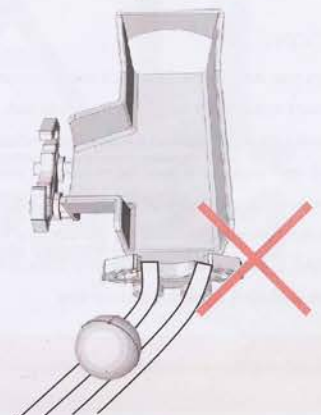
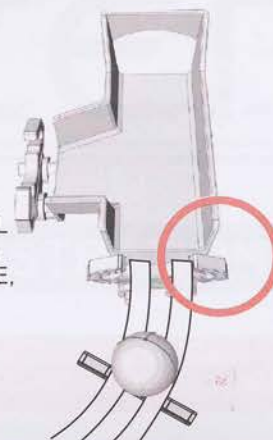
**PIC. 34-1**



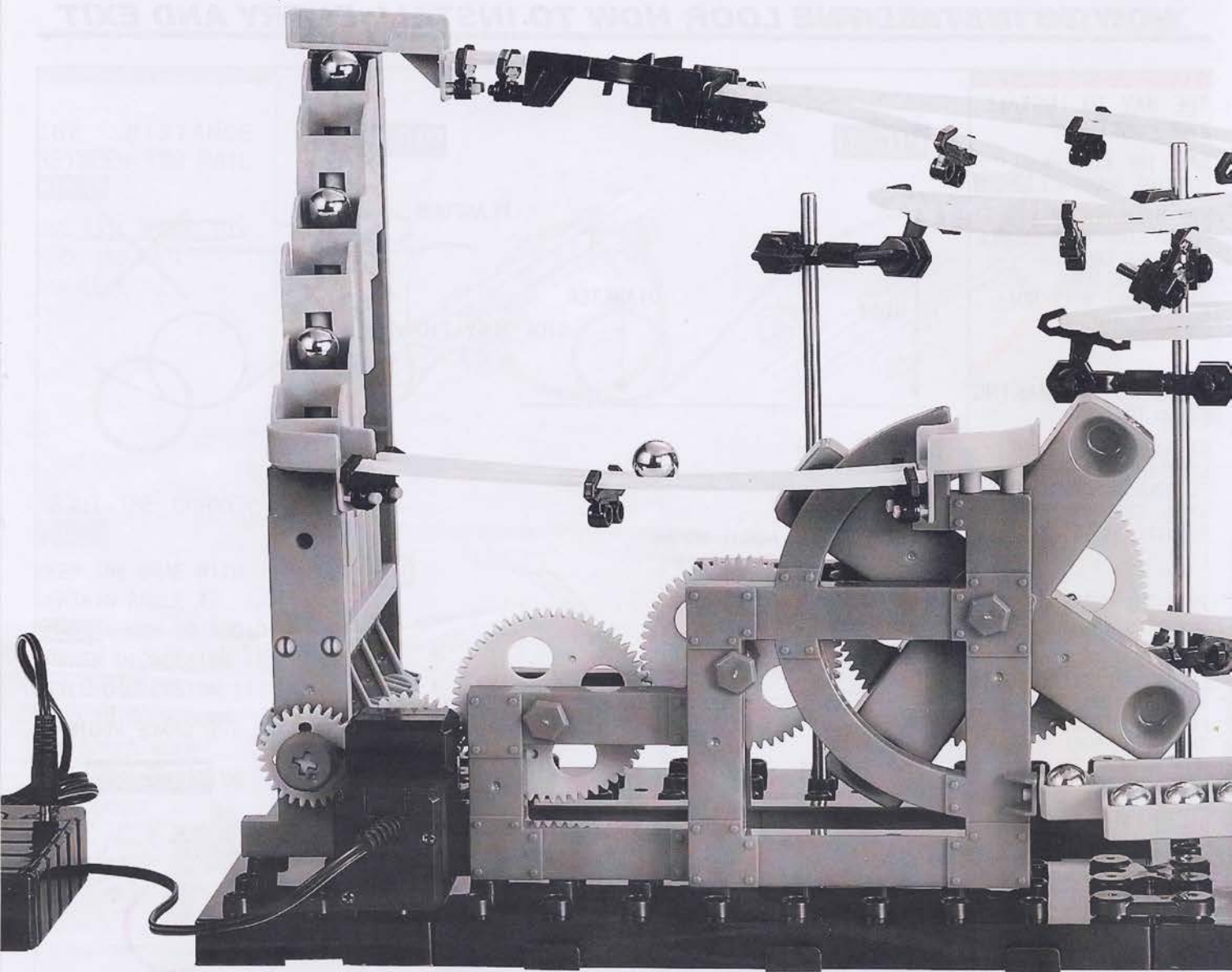
**PIC. 34-2**



**PIC. 35**



IT NEED INSTALL THE RAIL STAND AND MAKE THE RAIL AND ENTRY AT RIGHT ANGLE, TO AVOID RAIL BENDING



**NOTE** NOTE: FOR CONSUMER

**CAUTION**

- This product only for the player who above 8 years, under this age be forbad absolutely
- Be careful the sharp and edge part of the product to avoid risking
- To avoid choking risk, keep small parts away from children
- Keep it far away from child, child playing it is forbad absolutely
- Don't bend the steel-stick to avoid hurting
- The RAIL can not be surrounded to the neck to avoid choking risk.
- Please don't put your fingers to the elevator when it on running to avoid hurting accident

- Please don't force the motor stopping to avoid scalding or other risk caused by the overheat motor or battery
- Caution: the battery would appear overheat, blow out or leak risk for misusing.
- Please put it in the safe place to avoid be run down, fall off or trampled risk when shown it as mold
- Once the battery liquid spurt into the eyes, please washing it with clean water at once or ask help from doctor
- Please don't use the rechargeable battery (NI-CD battery etc)
- Batteries are to be inserted with correct polarity
- Turn off your equipment power switch after use and take out the battery otherwise it will lead to battery liquid leak
- Don't charge or disassemble the battery, don't dispose it in fire or heat

**CAUTION :**

- Always read through this illustration before operation
- This mold included the exactitude electronic part. Don't make it fall off. Wet, dirty or disassembled
- Be careful the sharp point on the part when installing
- Please don't elongate or bend the movable or installation part.
- Please send the part package to the dustbin after opening
- Exhausted batteries will cause the elevator stop running, when the elevator slowing down, please change the battery at once.
- The RAIL or the arm will departure their position after long time working, please adjust it in time
- Please don't put it under sun for long time

Please don't cumber the elevator (motor) running when the power offering to avoid risk caused by the overheat motor  
To avoiding break the motor and hurting accident please don't play it more than 5 hour continually