

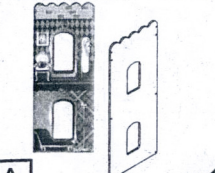
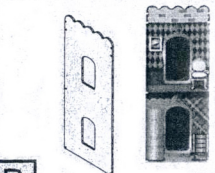
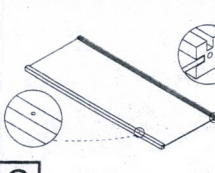
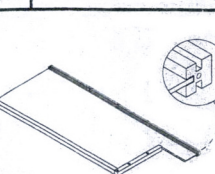
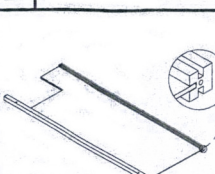
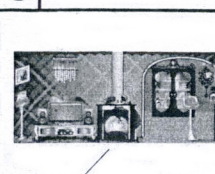
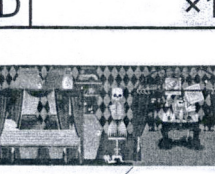
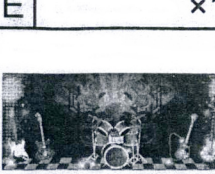
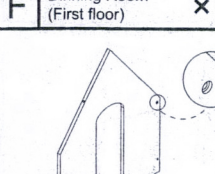
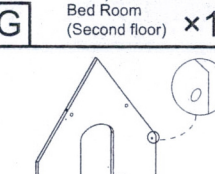
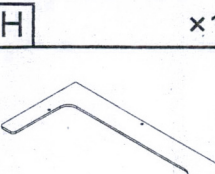
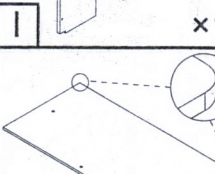
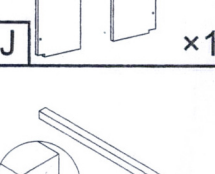
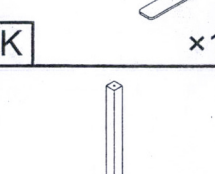
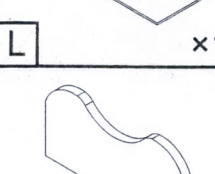
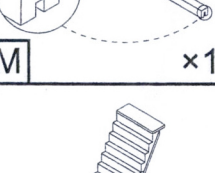
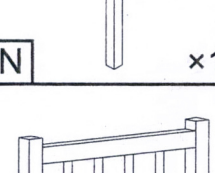
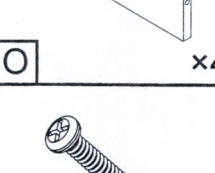
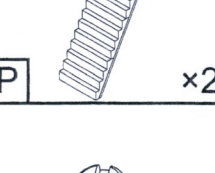
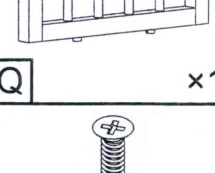
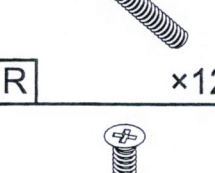
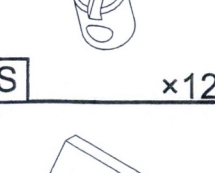
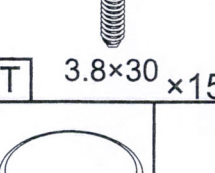
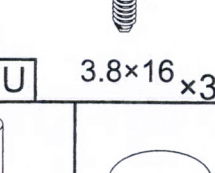
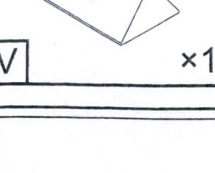
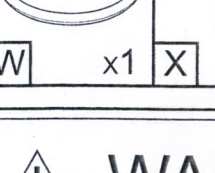
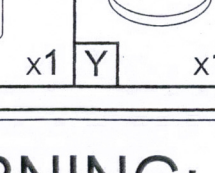
Mansion Doll House

ASSEMBLY INSTRUCTION

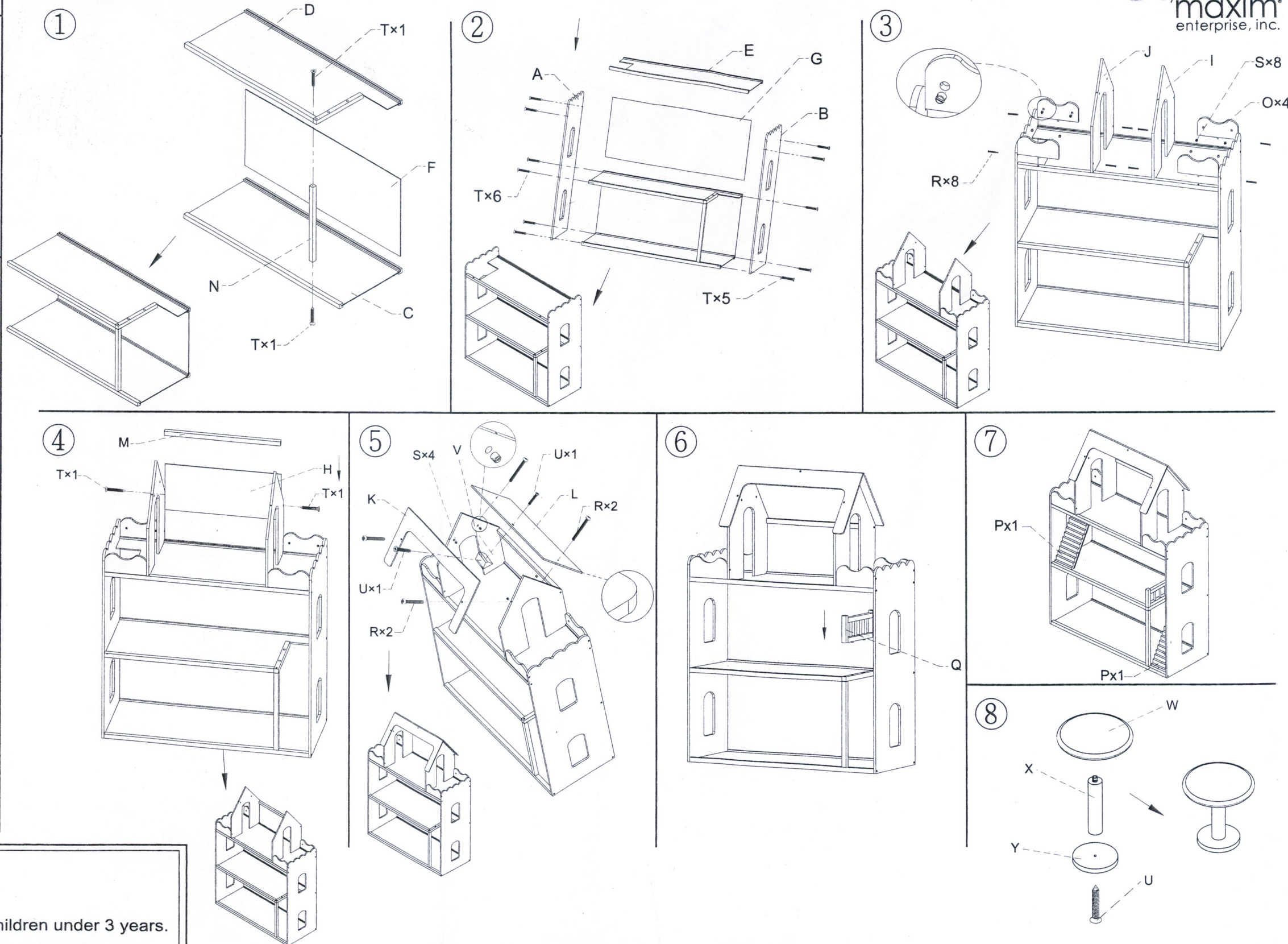
Designed by You™

by maxim enterprise, inc.

Contents item# 54132

 A x1	 B x1	 C x1
 D x1	 E x1	 F x1
 G x1	 H x1	 I x1
 J x1	 K x1	 L x1
 M x1	 N x1	 O x4
 P x2	 Q x1	 R x12
 S x12	 T 3.8x30 x15	 U 3.8x16 x3
 V x1	 W x1	 X x1
 Y x1	 Z x1	 AA x1

Please make sure to count all hardware and components before you begin assembling the product.



⚠ WARNING:
CHOKING HAZARD - Small parts. Not for children under 3 years.
 Prior to assembly, this packaging contains small parts: Hardware which is a choking hazard and may contain potential edges and (functional) sharp points, so please keep out of baby's reach.

Maxim Enterprise, Inc. For customer service information please contact us toll free at: 1-888-26-MAXIM(266-2946) or visit our website at: www.maximenterprise.com
ADULT ASSEMBLY REQUIRED * PHILIPS SCREW DRIVER REQUIRED (not provided)

 Made in China