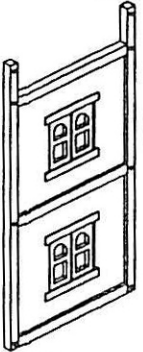
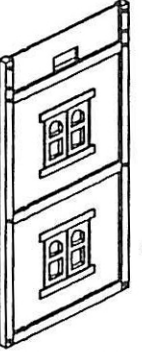
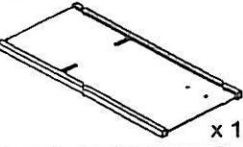
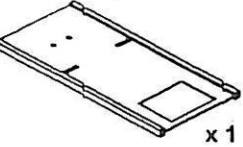

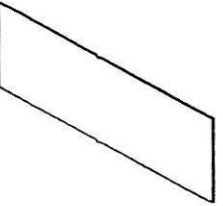

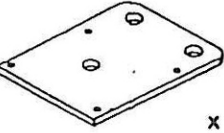
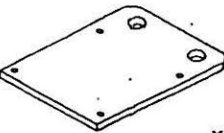
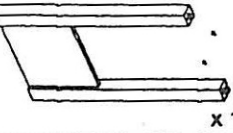
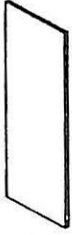
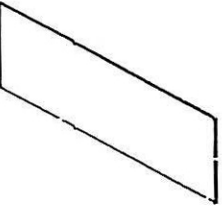
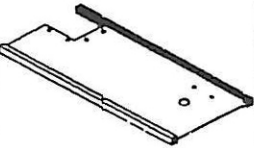
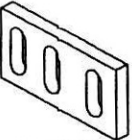
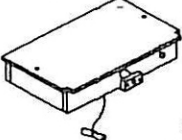
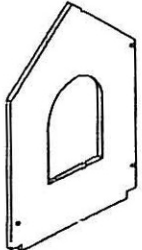
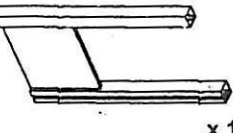
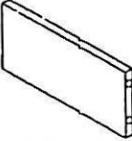
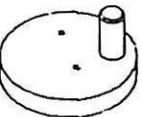
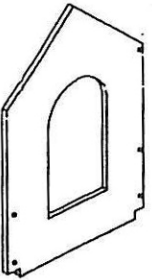
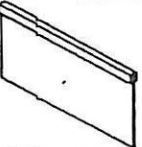
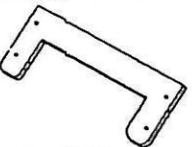


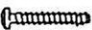
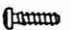
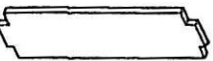
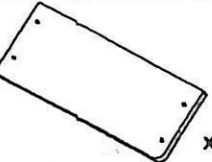

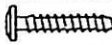


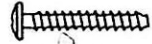
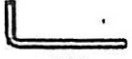


ASSEMBLY INSTRUCTION

MT-3363 N

A  x1	B  x1	C1  x1 C2  x1	D  x2	E  x1	F  x1	G1  x1 G2  x1
H1  x1	I  x1	J  x1	K  x1	L1  x1	M  x1	O1  x1
H2  x1				L2  x2	N  x1	
O2  x1	P  x1	R1  x1	S1  ESK - 40 x14	S4  ET - 16 x2	S7  GG-19F x8	S8  GG-12F x2
	Q  x2	R2  x1	S2  QC x14	S5  GH-19F x14	S9  ENK-30 x4	
			S3  ESK - 12 x2	S6  GH-26F x4	S10  FF x1	