



HAPPINESS IS MADE OF WOOD

3+

Art. Nr. 11464

Modular Children's Play Kitchen XL

Assembly instruction

Kinderküche modular XL

Aufbauanleitung

Coin cuisine, format XL

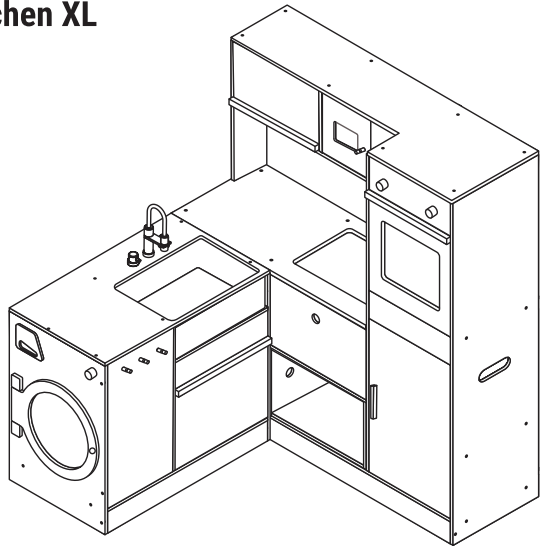
Notice de montage

Cucina per bambini modulare XL

Istruzioni di montaggio

Cocina infantil modular XL

Instrucciones de montaje



CAUTION:

The toy is to be assembled by an adult.



CAUTION:

Assemblage par un adulte requis.



WARNING:

CHOKING HAZARD

Small parts. Not for children under 3 years.



AVERTISSEMENT:

RISQUE DE SUFFOCATION

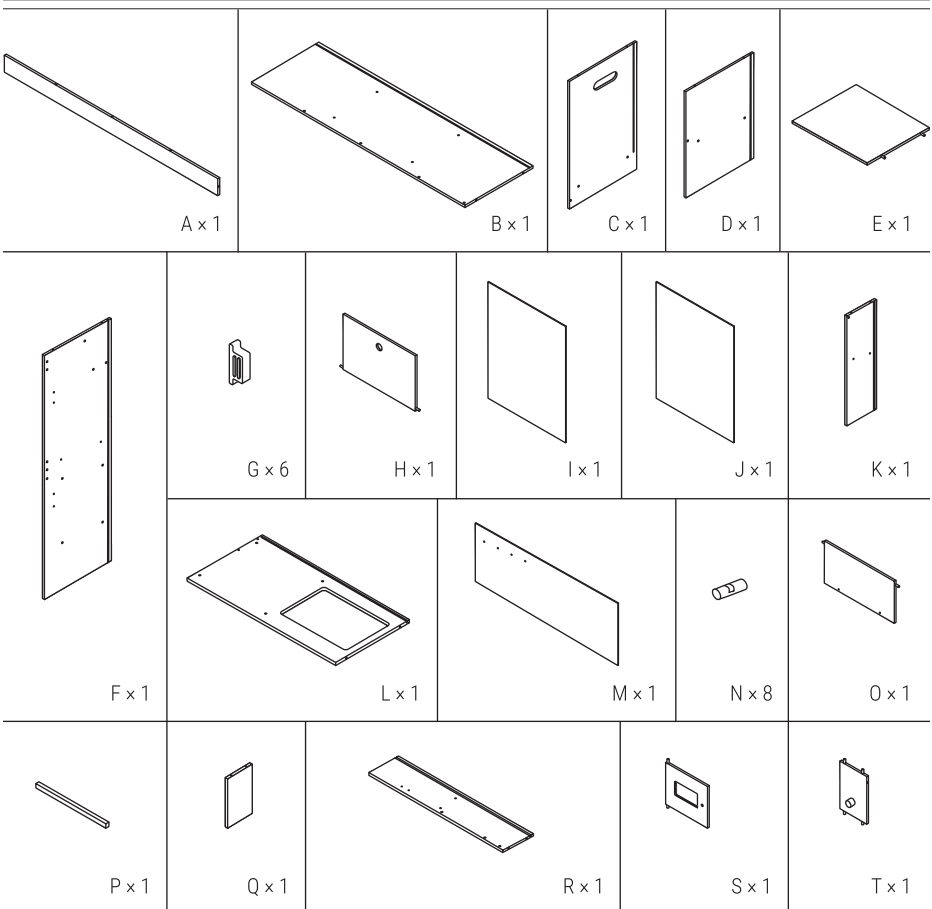
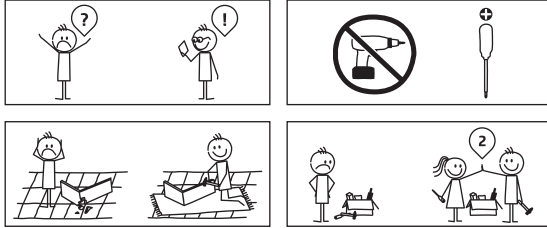
Présence de petits éléments. Ne convient pas aux enfants de moins de 3 ans.



Legler OHG small foot company
Achimer Straße 5
27755 Delmenhorst Germany

SMALL-FOOT.DE

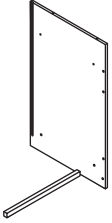

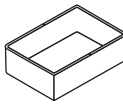

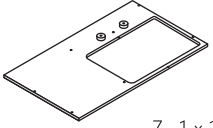













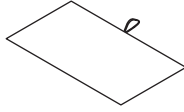
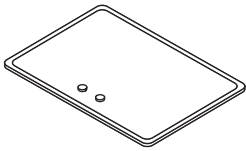
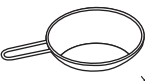




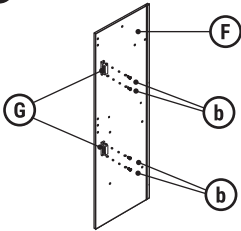
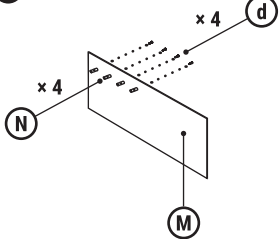
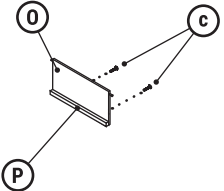
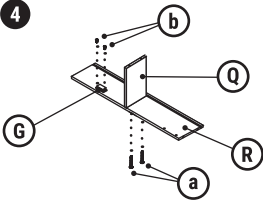
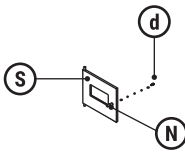
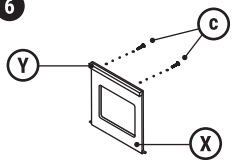
U x 1	V x 1	W x 1	X x 1	Y x 1	Z x 1
A - 1 x 1	B - 1 x 1	C - 1 x 1	D - 1 x 1		
F - 1 x 1	G - 1 x 1		H - 1 x 1		
I - 1 x 2	J - 1 x 2	K - 1 x 1	L - 1 x 1	M - 1 x 1	
N - 1 x 1	O - 1 x 1	P - 1 x 1	Q - 1 x 1	R - 1 x 1	S - 1 x 1

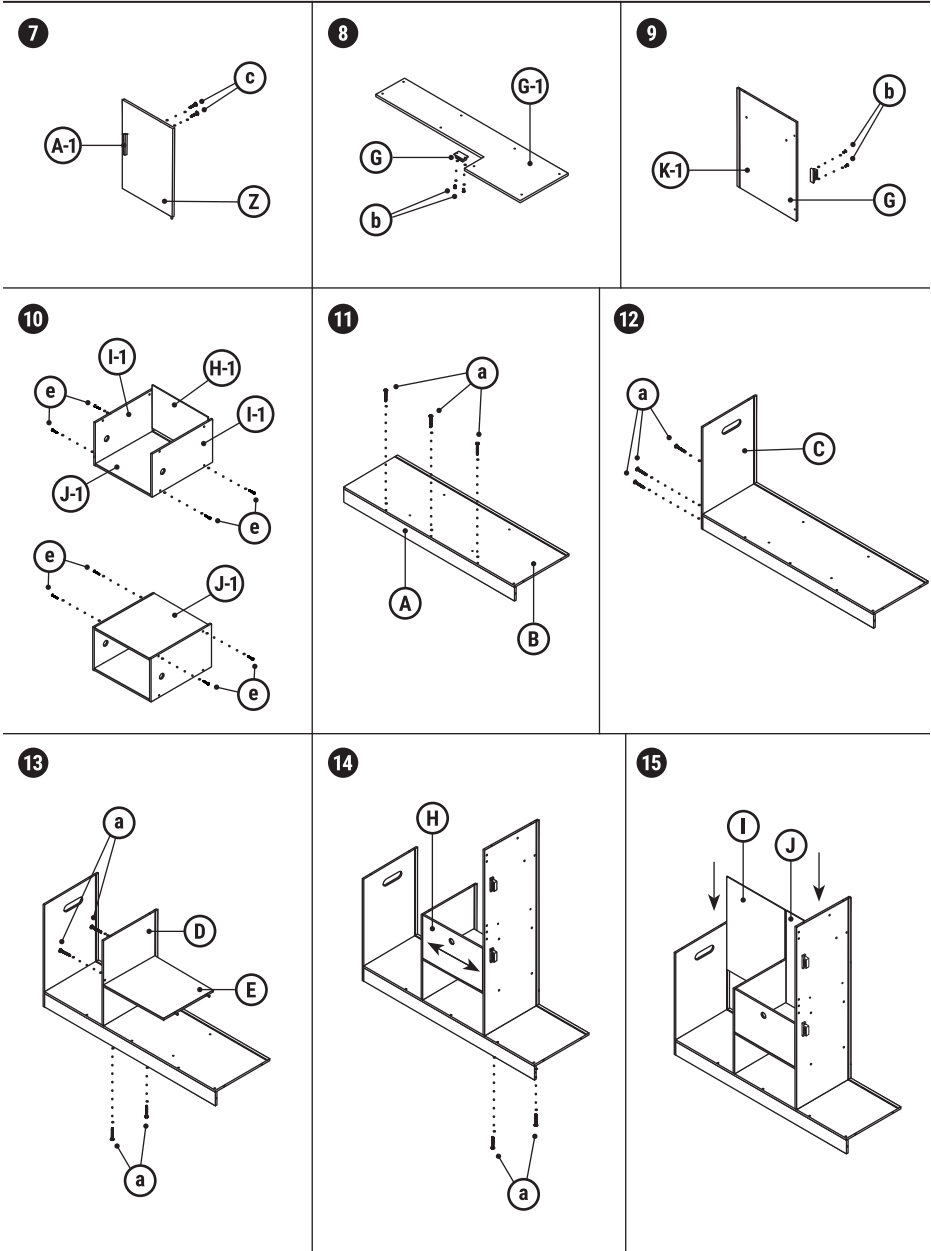


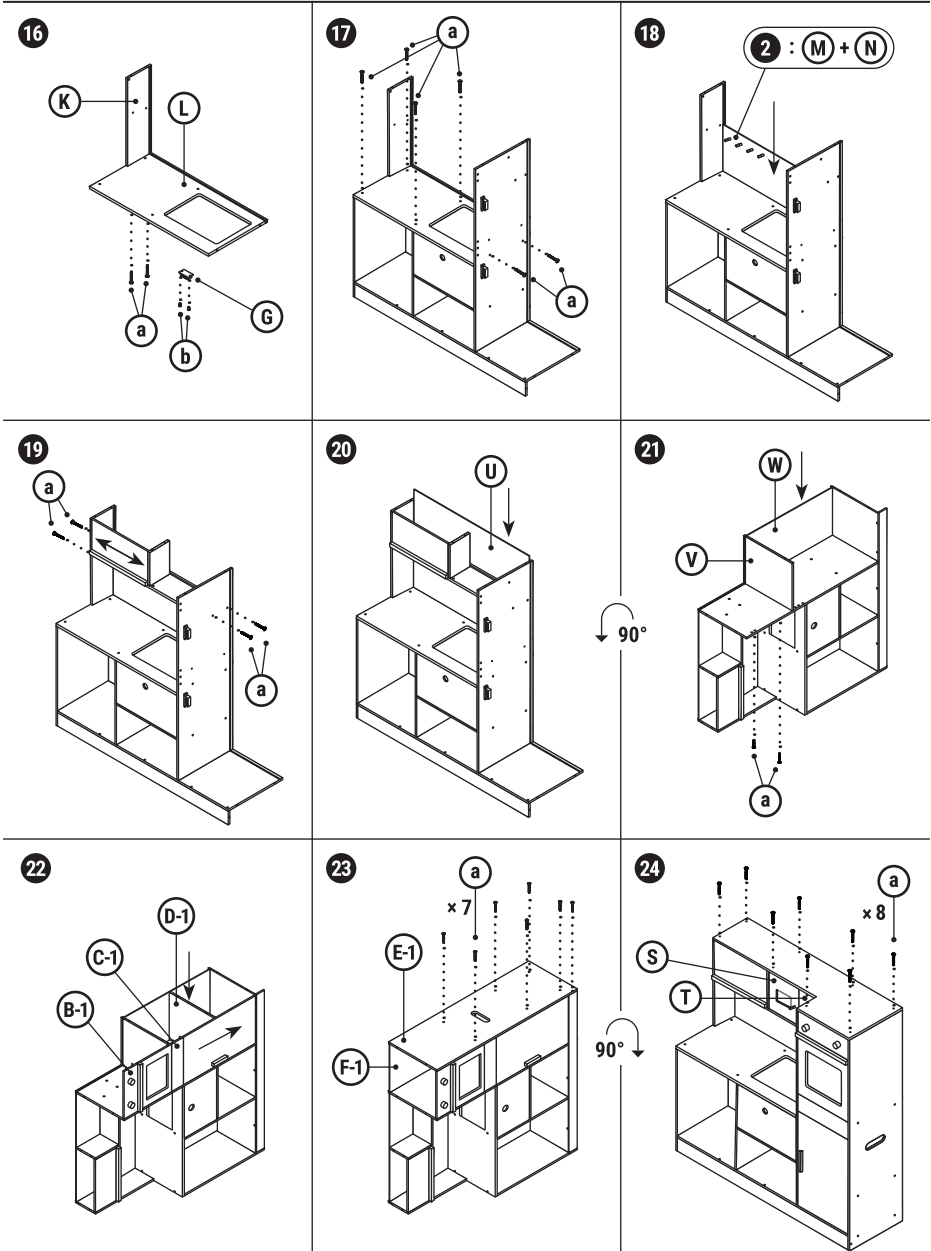
WARNING! Adult assembly required. | ACHTUNG! Aufbau nur durch einen Erwachsenen. | ATTENTION! Assemblage par un adulte requis. | AVVERTENZA! Richiesto assemblaggio da parte di un adulto. | ADVERTENCIA! Se requiere ensamblaje por un adulto.

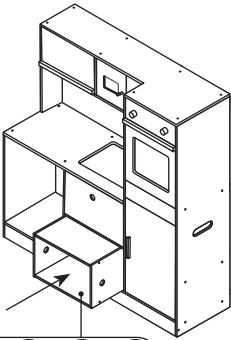
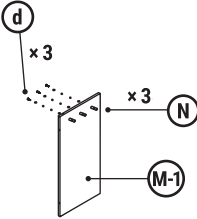
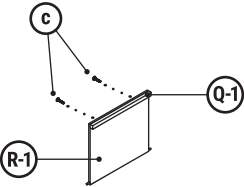
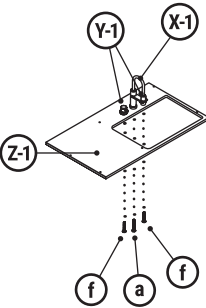
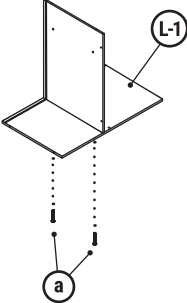
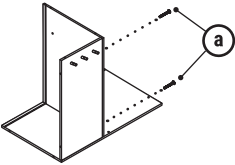
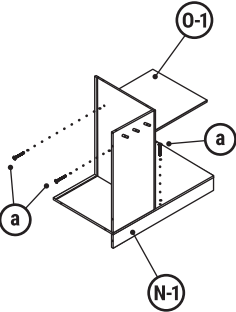
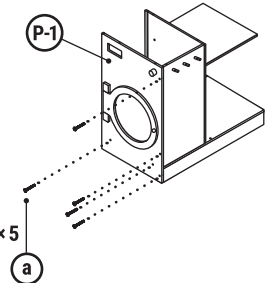
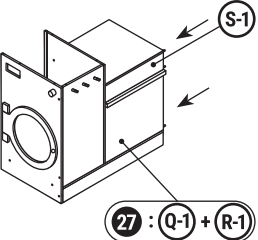
		 V - 1 x 1	 X - 1 x 1	 Z - 1 x 1	
T - 1 x 1	U - 1 x 1	 W - 1 x 2	 Y - 1 x 1	 A - 2 x 1	
 a x 67	 b x 12	 c x 8	 d x 8	 e x 8	 f x 2

 x 1	 x 1	 x 1	 x 1
 x 1	 x 1	 x 1	

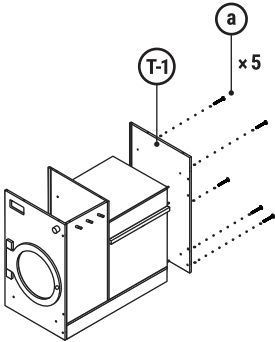
1 	2 	3 
4 	5 	6 



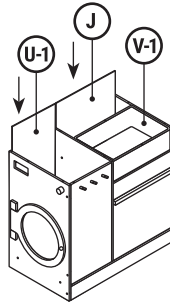


<p>25</p>  <p>10 : (I-1) + (J-1) + (H-1)</p>	<p>26</p> 	<p>27</p> 
<p>28</p> 	<p>29</p> 	<p>30</p> 
<p>31</p> 	<p>32</p> 	<p>33</p>  <p>27 : (Q-1) + (R-1)</p>

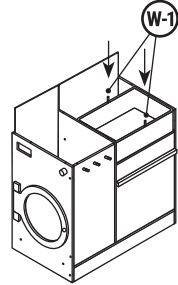
34



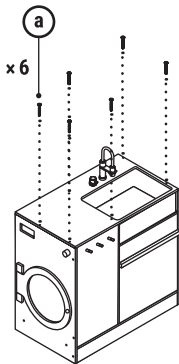
35



36



37



38

